



Think Partitioning,  
Think Komfort



# Think Partitioning, Think Komfort.

Komfort divide spaces by designing and manufacturing internal glazed and solid partitions with integrated door sets.

We are quality UK manufacturers, proud of our long standing relationships built on service, flexibility and technical support. Our knowledgeable and experienced specialists deliver the architect's vision through our extensive contractor network.

Think Partitioning,  
Think Komfort.



## Contents

<b>Frameless Partitioning</b>	3
Polar 30	5
Polar 35	9
Polar 40	13
Polar 54	17
Polar 100	21
Polar 101	25
Polar Kreate	29
Tech Panels	33
<b>Fire Rated Systems</b>	35
Defence E	37
Defence EI	41
Sorteria Fire Screens	45
Sorteria	47
Sorteria XL	49
<b>Framed Partitioning</b>	51
Kross Glaze 600	53
Komfire 75	57
Komfire 100	58
Komfire 75FR	59
Komfire 100FR	60
Komfire 100FR+ 600 Series	61 63
<b>Doors, Frames &amp; Ironmongery</b>	65
Sonik Doors	67
Sonik 52 Swing	69
Sonik 70 Swing	71
Sonik 70R Rebated	73
Sonik 70S Slide	75
Frameless Glass Doors	77
Timber Doors, Frames & Ironmongery	79
<b>Moveable Walls</b>	81
Komfort 80	83
Komfort 200	85
<b>Collections</b>	87
Manifestations & Graphics	89
Privacy	90
<b>Product Matrix</b>	93



## Frameless Partitioning

Minimalism conveys a message of simplicity by focusing on function and clean space, the essential elements of what makes an interior beautiful. Achieved through our elegant frameless glass systems, this design trend is continually embraced by designers and stands the test of time.

With an intrinsic focus on designing equal frame sight lines, our new Polar range offers an array of stunning, frameless glass partitioning systems available in single, double and triple-glazed options. Equal frame sight lines deliver on aesthetics but also allow each system to be fully complementary of one another and work as one, giving you ultimate flexibility in choice. Achieved through intelligent design, these systems offer superior performance ratings which have been independently certified and tested.

Realise your vision by exploring our Polar range.





## Polar 30

Polar 30 is Komfort's slim 30mm wide single glazed system. Available in either straight, faceted or curved, this system can be used with a wide range of flexible glass configurations to enhance any design. The frameless bubble jointed glazing and slim trackwork creates the appearance of floating glass, allowing an abundance of light to fill the space to naturally brighten any room.

For any busy environment, this partitioning system allows designers to get imaginative with space by creating private meeting rooms, boardrooms, quiet areas and so on. Increase flexibility and create the perfect working environment with Polar 30.



**At a glance**

**Dimensions:**

Height - up to 3000mm  
Track width - 30mm  
Track height - 32mm

**Fire ratings:**

N/A

**Acoustics:**

Up to 40dB (Rw)

**Structure:**

up to 0.74kN BS 6180:2011

**Deflection head:**

+/-25mm

**Door options:**

Timber doors  
Single glazed doors  
Sonik doors

**Door frame options:**

Aluminium door frame

**Glass type options:**

Toughened - 10, 12mm  
Toughened Lam. - 13.5mm  
Acoustic Lam. - 10.8, 12.8, 14.8mm

**Weight (excluding nominal head & base)\*:**

**Toughened glass:**

10mm = 25kg/m<sup>2</sup>  
12mm = 30kg/m<sup>2</sup>

**Toughened Lam. glass:**

13.5mm = 34kg/m<sup>2</sup>

**Acoustic Lam. glass:**

10.8mm = 27kg/m<sup>2</sup>  
12.8mm = 32kg/m<sup>2</sup>  
14.8mm = 37kg/m<sup>2</sup>

**✗ Blinds**

✓ Manifestations

✓ Graphics

✓ SwitchGlass

✓ Kross Glaze

\* Curved Glass

**Paint/finishes**

✓ Polyester powder coat

✗ Satin anodised aluminium

✓ Special anodised finish

\* dependent on system configuration / specification

See our technical documents on our website for more:

[www.komfort.com/panel](http://www.komfort.com/panel)

## Polar 30

Achieving up to 40dB (Rw), Polar 30 offers impressive performance credentials with a discreet structure and accommodates up to 14.8mm glass. This system can be integrated with a stud partition with Komfire 75 and 100 wrap around reducers, wrap around door frame and head detail or a 100mm drywall tape and joint adaptor for a seamless finish.

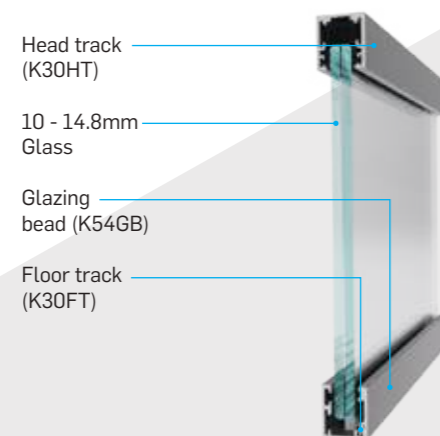
**See our website for our Design Guide for more details.**

Polar 30 is also compatible with Komfort's Sonik, single glazed and timber door options. There is also an optional deflection head channel with a built-in tolerance of +/-25mm available.

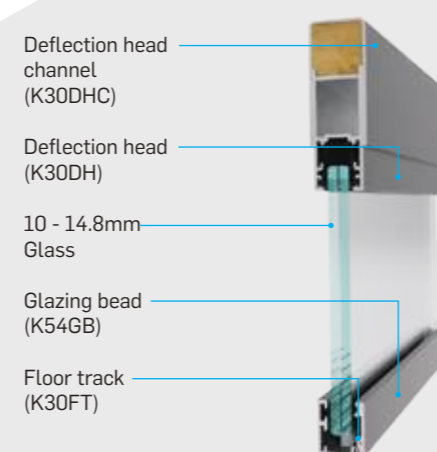
Kross Glaze applied bars can create an industrial appearance to suit the desired aesthetics. In addition, all aluminium components are powder coated using our standard colour options with special colour options available in any RAL or BS colour code.



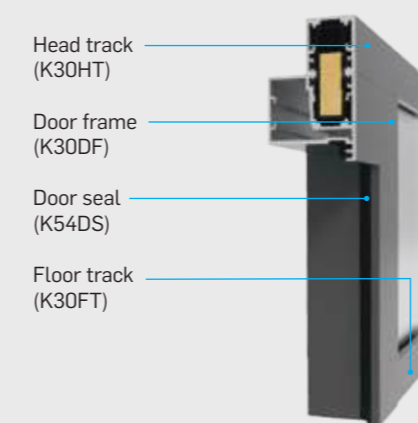
### Standard Single Glazed Head and Base Detail



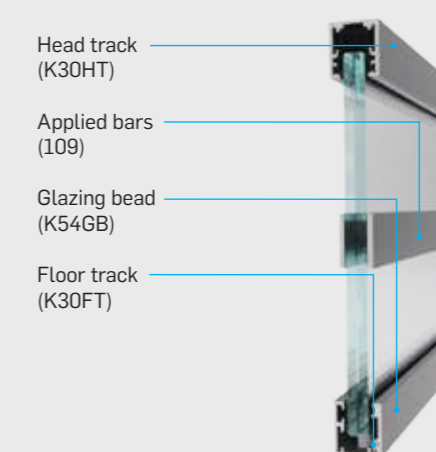
### Standard +/-25mm Deflection Head and Base Detail



### Standard Full Height Door Frame Detail



### Single Glazed with Applied Kross Glaze Bars





## Polar 35

Polar 35 is Komfort's superior 35mm single glazed system which can accommodate a thicker glass to achieve enhanced acoustic and structural performance.

This system offers leading single glazed acoustic ratings and is ideal for areas that require enhanced line loading. Polar 35 creates a contemporary aesthetic in any commercial environment.



**At a glance**

**Dimensions:**

Height - up to 3600mm  
Track width - 35mm  
Track height - 32mm

**Fire ratings:**

N/A

**Acoustics:**

Up to 41dB (Rw)

**Structure:**

Up to 1.5kN BS 6180:2011

**Deflection head:**

+/-25mm

**Door options:**

Timber doors  
Single glazed doors  
Sonik doors

**Glass type options:**

Toughened - 15mm  
Toughened Lam. - 17.5mm  
Acoustic Lam. - 16.8mm

**Weight (excluding nominal head & base)\*:**

**Toughened glass:**  
15mm = 38kg/m<sup>2</sup>  
**Toughened Lam. glass:**  
17.5mm = 44kg/m<sup>2</sup>  
**Acoustic Lam. glass:**  
16.8mm = 42kg/m<sup>2</sup>

**x Blinds**

**✓ Manifestations**

**✓ Graphics**

**✓ SwitchGlass**

**✓ Kross Glaze**

**x Curved Glass**

**Paint/finishes**

**✓ Polyester powder coat**

**x Satin anodised aluminium**

**✓ Special anodised finish**

\* dependent on system configuration / specification.

See our technical documents on our website for more:

[www.komfort.com/panel](http://www.komfort.com/panel)

## Polar 35

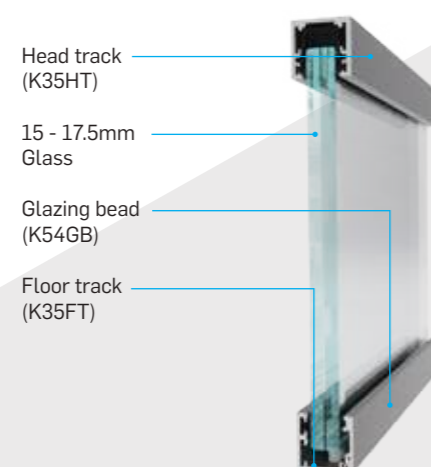
Polar 35 is our superior single glazed system which accommodates glass up to 17.5mm, achieving increased line load performance and higher acoustic ratings of up to 41dB (Rw). Similar to Polar 30, this system can be integrated with a stud partition with either Komfire 75 and 100 wrap around reducers, wrap around door frame or a 100mm drywall tape and joint adaptor. Additionally, seamless integration with a stud partition can be achieved using Komfire 100 head detail.

Polar 35 is also compatible with Komfort's Sonik, single glazed and timber door options. There is also an optional deflection head channel with a built-in tolerance of +/-25mm available.

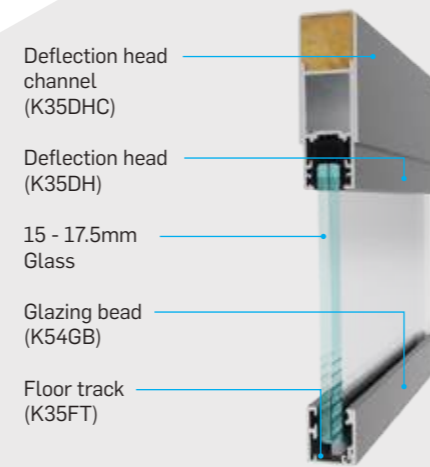
In addition, Kross Glaze applied bars can create an industrial appearance to suit the desired aesthetics. All aluminium components are available in a range of paints and finishes, including any RAL or BS colour code.



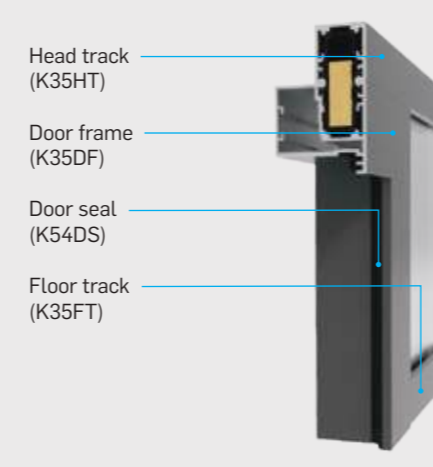
**Standard Single Glazed Head and Base Detail**



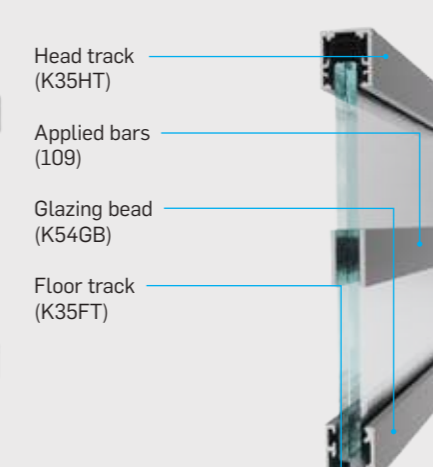
**Standard +/-25mm Deflection Head and Base Detail**



**Standard Full Height Door Frame Detail**



**Single Glazed with Applied Kross Glaze Bars**





## Polar 40

Single Glazed Guarding

Komfort's high performance Polar 40 system is designed for use as a full height barrier for atriums and high level, high traffic scenarios, such as airport corridors, where guarding is required for public safety. Thicker, toughened and laminated glass, with wider channels increase the safety and structural performance over a fall, at any height.



**At a glance**

**Dimensions:**

Height – up to 3900mm\*  
Module width – up to 1600mm  
Trackwork Dimensions – 40x32mm

**Fire ratings:** N/A

**Acoustics:**

Single glazed up to 43dB (Rw)\*  
Double glazed up to 53dB (Rw)\*

**Structural Performance:**

BS 6180:2011 – up to 1.5kNm\*

**Deflection head:**

+/-25mm

**Door options:** N/A

**Glass type options:**

19.5mm Toughened Laminated  
(PVB or SentryGlas® Interlayer)  
21.5mm Toughened Laminated  
(PVB or SentryGlas® Interlayer)

**Weight**

(exc. nominal head & base)\*:

**Toughened Laminated with  
PVB Interlayer:**

19.5mm = 49kg/m<sup>2</sup>

**Toughened Laminated with  
PVB Interlayer:**

21.5mm = 51kg/m<sup>2</sup>

**Toughened Laminated with  
SentryGlas® Interlayer:**

19.5mm = 49kg/m<sup>2</sup>

**Toughened Laminated with  
SentryGlas® Interlayer:**

21.5mm = 51kg/m<sup>2</sup>

**Compatible with:**

- Blinds
- Manifestations
- Graphics
- Kross Glaze
- Curved Glass

**Paint/finishes**

- Polyester powder coat
- Satin anodised aluminium
- Special anodised finish

\* dependent on system configuration / specification.

See our technical documents on our website for more:

[www.komfort.com/panel](http://www.komfort.com/panel)

## Polar 40

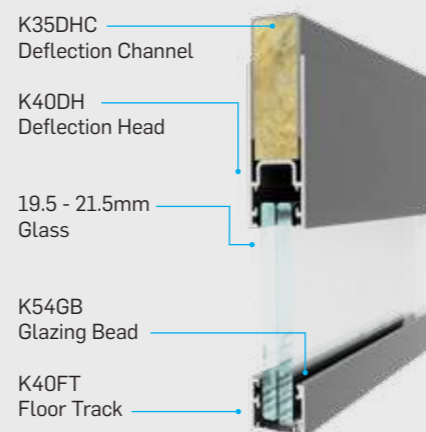
### Single Glazed Guarding

A glazed guarding solution, Polar 40, is a frameless silicone jointed glazing and minimal trackwork provides contemporary aesthetics in any working environment, allowing an abundance of light to fill the space to naturally brighten any area.

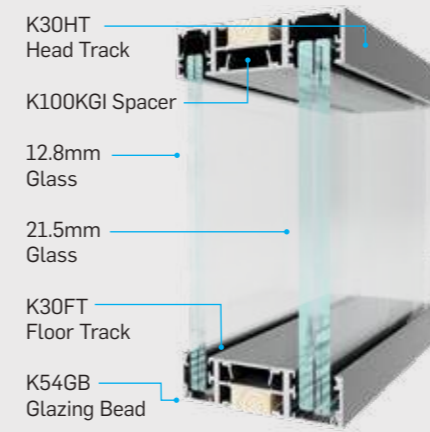
The 40mm wide trackwork takes 19.5mm and 21.5mm toughened laminated glass, for increased structural stability up to 3.6m high with PVB interlayers or up to 3.9m with SentryGlas® interlayers to act as a barrier over a fall.



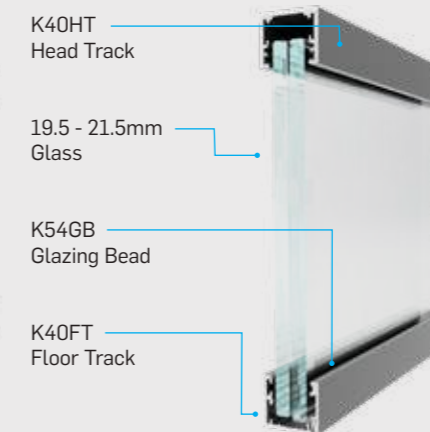
#### Deflection Head



#### Double Glazed



#### Screen





## Polar 54

Polar 54 is Komfort's 54mm wide system available with a range of glass configurations, including a slimline double glazed option. Polar 54 system provides flexible design solutions for the recent architectural trend of narrow-gauge glazed partitioning, without compromising on strength and performance. The frameless bubble jointed glazing and minimal trackwork creates a stunning environment for any interior.

This slim glazed partitioning system offers the perfect solution for designers to create the impression of space, whilst helping businesses best utilise their office planning. The structure of Polar 54 blends functionality, performance and high-end design.



**At a glance**

**Dimensions:**

Height – up to 3000mm  
Track width – 54mm  
Track height – 32mm

**Fire ratings:**

N/A

**Acoustics:**

Up to 47dB (Rw)

**Structure:**

Up to 0.74kN BS 6180:2011

**Deflection head:**

+/-25mm

**Door options:**

Timber doors  
Single glazed doors  
Sonik doors

**Glass type options:**

Toughened – 10, 12mm  
Toughened Lam. – 13.5mm  
Acoustic Lam. – 10.8, 12.8, 14.8mm

**Weight (excluding nominal head & base)\*:**

**Toughened:**  
10mm = 25kg/m<sup>2</sup>  
12mm = 30kg/m<sup>2</sup>

**Toughened Lam. glass:**

13.5mm = 34kg/m<sup>2</sup>  
**Acoustic Lam.:**  
10.8mm = 27kg/m<sup>2</sup>  
12.8mm = 32kg/m<sup>2</sup>  
14.8mm = 37kg/m<sup>2</sup>

**✗ Blinds**

**✓ Manifestations**

**✓ Graphics**

**✓ SwitchGlass**

**✓ Kross Glaze**

**\*✓ Curved Glass**

**Paint/finishes**

**✓ Polyester powder coat**

**✗ Satin anodised aluminium**

**✓ Special anodised finish**

\* dependent on system configuration / specification.

See our technical documents on our website for more:

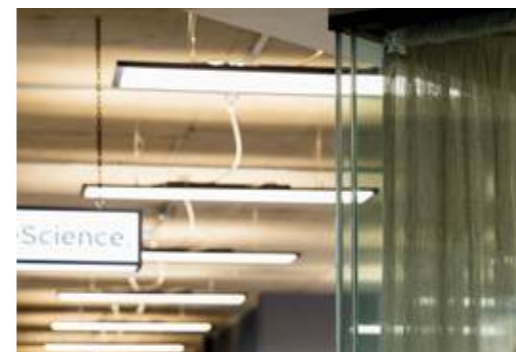
[www.komfort.com/panel](http://www.komfort.com/panel)

## Polar 54

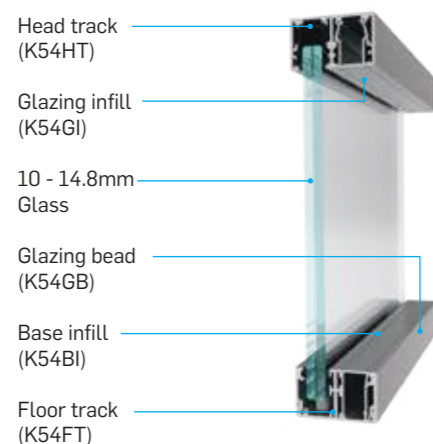
The Polar 54 system achieves an impressive acoustic performance of up to 47dB (Rw) in a slimline frame. The system can accommodate 10mm to 14.8mm glass in either a single or double-glazed format.

There are options for +/-25mm deflection channels, as well as 100mm drywall tape and joint adaptor and Komfire 75 and 100 wrap around reducers.

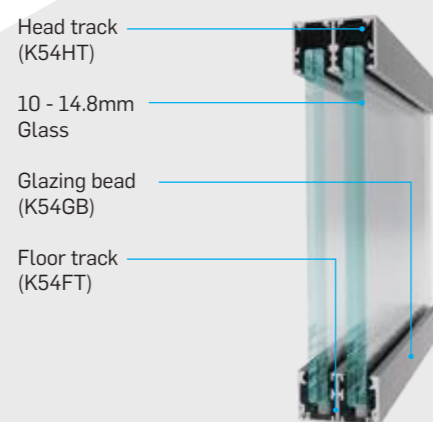
This system is compatible with Kross Glaze applied bars with the option of an internal Kross Glaze bar for the double glazed version. Polar 54 can be installed alongside Komfort's Sonik, single glazed and timber door options. To create an elegant and stylish design, all aluminium sections are powder coated any RAL or BS colour code.



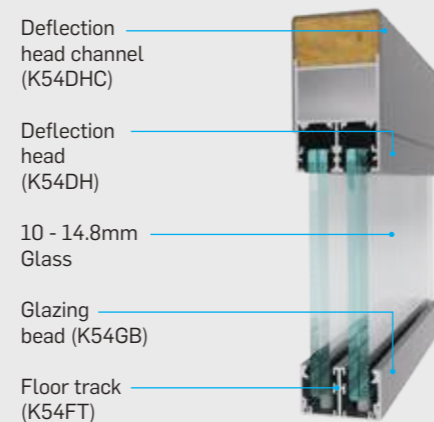
### Standard Offset Single Glazed Head and Base Detail



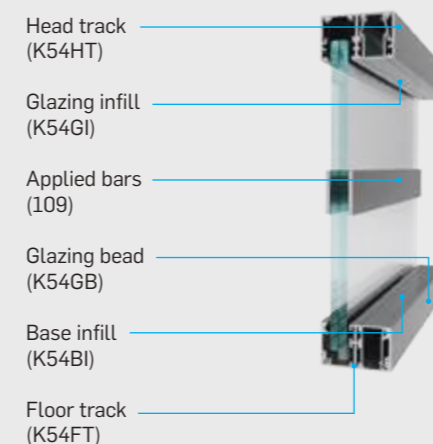
### Standard Double Glazed Head and Base Detail



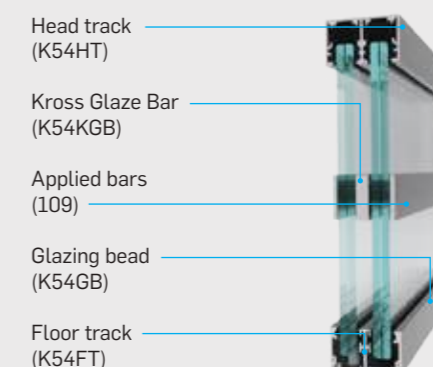
### Standard +/-25mm Deflection Head and Base Detail



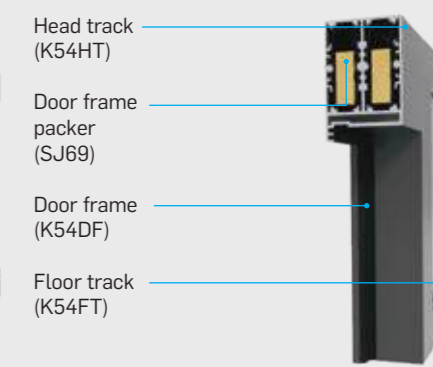
### Offset Single Glazed Kross Glaze Applied Bars Detail



### Double Glazed Kross Glaze Applied Bars Detail



### Full Height Door Frame Detail





## Polar 100

Komfort's 100mm double glazed system is designed with enhanced performance over that of our single glazed products. The intricate detail and intelligent design of this system combines contemporary aesthetics, elegance and performance. This system is available in either straight lines or faceted.

With busy open-plan offices, quiet spaces are essential. Our Polar 100 system allows for private and confidential spaces with its high acoustic performance.



**At a glance**

**Dimensions:**

Height - up to 3000mm  
Track width - 100mm  
Track height - 32mm

**Fire ratings:**

N/A

**Acoustics:**

Double glazed - up to 53dB (Rw)

**Structure:**

Up to 1.5kN BS 6180:2011

**Deflection head:**

+/-25mm

**Door options:**

Timber doors  
Single glazed doors  
Sonik doors

**Glass type options:**

Toughened - 10, 12mm  
Toughened Lam. - 13.5mm  
Acoustic Lam. - 10.8, 12.8, 14.8mm  
Triple Glazed Acoustic Lam. - 6.8mm

**Weight (excluding nominal head & base)\*:**

**Toughened glass:**  
10mm = 25kg/m<sup>2</sup>  
12mm = 30kg/m<sup>2</sup>

**Toughened Lam. glass:**  
13.5mm = 34kg/m<sup>2</sup>

**Acoustic Lam. glass:**  
10.8mm = 27kg/m<sup>2</sup>  
12.8mm = 32kg/m<sup>2</sup>  
14.8mm = 37kg/m<sup>2</sup>

✓ Blinds

✓ Manifestations

✓ Graphics

✓ SwitchGlass

✓ Kross Glaze

\*✓ Curved Glass

**Paint/finishes**

✓ Polyester powder coat

✗ Satin anodised aluminium

✓ Special anodised finish

\* dependent on system configuration / specification.

See our technical documents on our website for more:

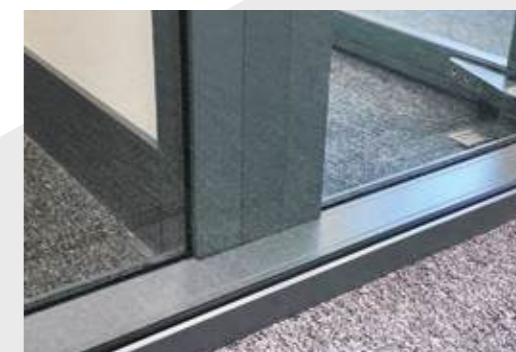
[www.komfort.com/panel](http://www.komfort.com/panel)

# Polar 100

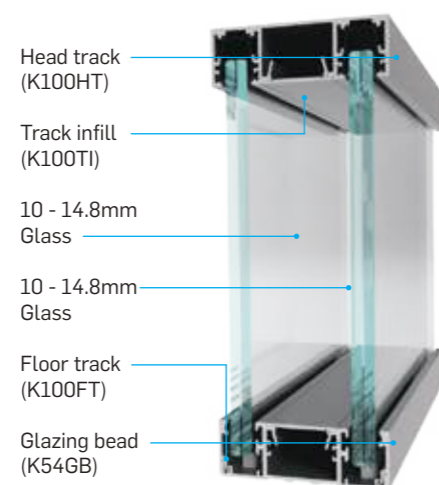
The Polar 100 double glazed system achieves high acoustic ratings of up to 53dB (Rw) and can accommodate up to 14.8mm glass. Using the snap-in profile, this fully-flexible system can also fit a third pane of glass, a mesh panel, an LED screen and more.

This system offers versatility in configuration. Polar 100 can be integrated with a stud partition with a Komfire 100 perpendicular three-way wrap around adaptor with glazing to the front, a wrap around door frame and head detail or a 100mm drywall tape and joint adaptor. There is also an optional deflection head channel with a built-in tolerance of +/-25mm available. See our Design Guide for more details.

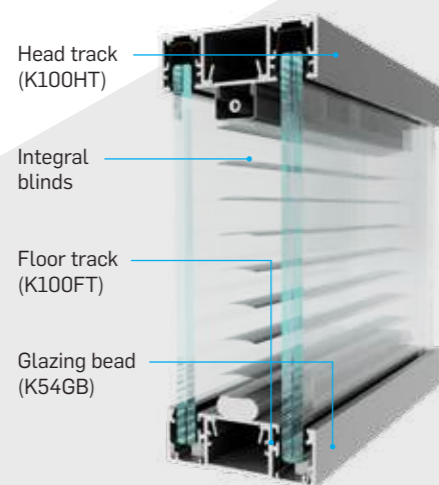
This system is available in a range of Kross Glaze options, from internal only, internal with applied bars and transom and mullion glazing to create a framed glazing system with individual glass panes.



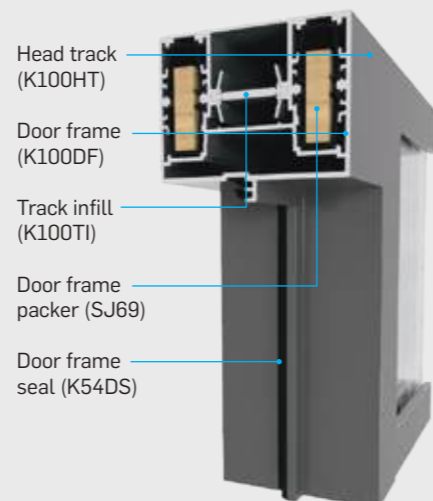
### Standard Double Glazed Head and Base Detail



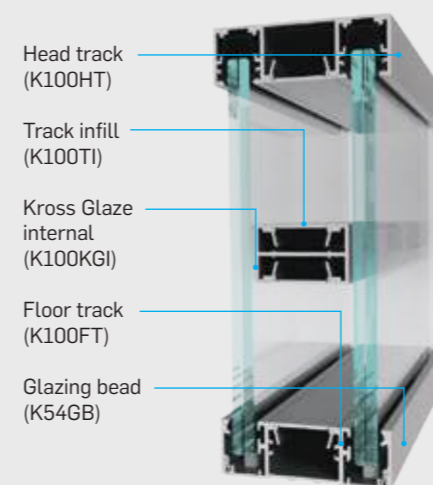
### Double Glazed Unit Blinds



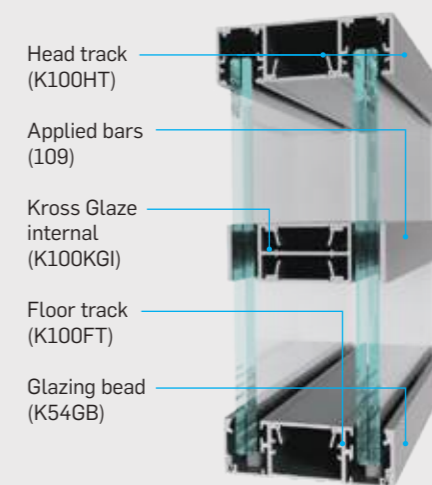
### Standard Full Height Door Frame Detail



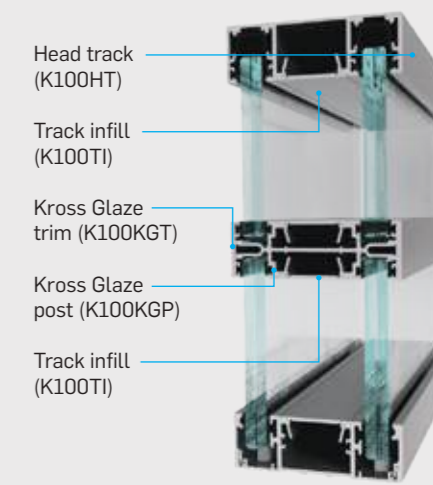
### Double Glazed with Kross Glaze Internal



### Double Glazed with Applied Kross Glaze



### Double Glazed with Kross Glaze Transom





## Polar 101

Polar 101 is Komfort's superior double glazed system which achieves our highest acoustic rating for when performance requirements are stringent. This system is available in a range of glass options and can be customised to meet unique requirements.

Introduced to meet the needs of busy working spaces, this system delivers unparalleled performance and beauty in design.



**At a glance**

**Dimensions:**

Height - up to 3600mm  
Track width - 100mm  
Track height - 32mm

**Fire ratings:**

N/A

**Acoustics:**

Double glazed - up to 54dB (Rw)

**Structure:**

Up to 1.5kN BS 6180:2011

**Deflection head:**

+/-25mm

**Door options:**

Timber doors  
Single glazed doors  
Sonik doors

**Glass type options:**

Toughened - 10, 12, 15mm  
Acoustic Lam. - 10.8, 12.8, 14.8mm  
Acoustic Lam. - 16.8mm  
Toughened Lam. - 13.5, 17.5mm

**Weight (excluding nominal head & base)\*:**

**Toughened:**

10mm = 25kg/m<sup>2</sup>  
12mm = 30kg/m<sup>2</sup>  
15mm = 38kg/m<sup>2</sup>

**Acoustic Lam.:**

10.8mm = 27kg/m<sup>2</sup>  
12.8mm = 32kg/m<sup>2</sup>  
14.8mm = 37kg/m<sup>2</sup>  
16.8mm = 42kg/m<sup>2</sup>

**Toughened Lam.:**

13.5mm = 34kg/m<sup>2</sup>  
17.5mm = 43.75kg/m<sup>2</sup>

✓ Blinds

✓ Manifestations

✓ Graphics

✓ SwitchGlass

✓ Kross Glaze

**Paint/finishes**

✓ Polyester powder coat

✗ Satin anodised aluminium

✓ Special anodised finish

\* dependent on system configuration / specification.

See our technical documents on our website for more:

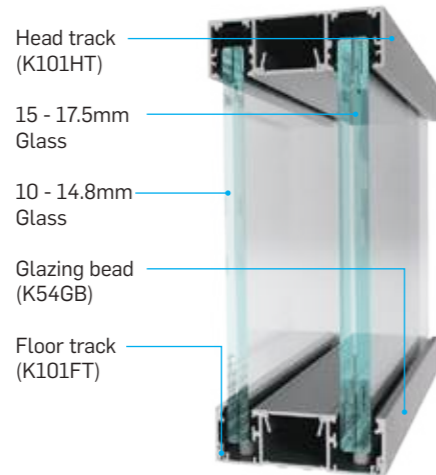
[www.komfort.com/panel](http://www.komfort.com/panel)

# Polar 101

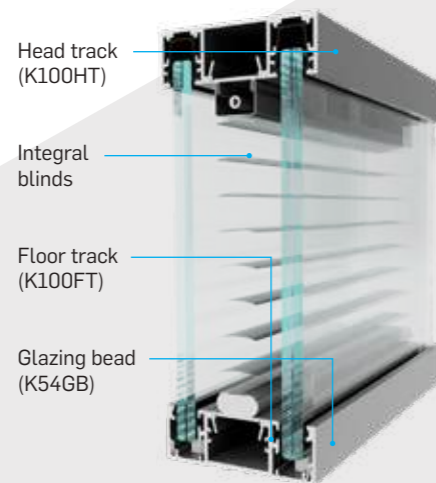
The Polar 101 double glazed system is the ultimate choice when acoustic and structural performance requirements are stringent. This system achieves our highest acoustic rating of 54dB (Rw) and can accommodate a range of customisable glass options. The offset profile takes 15mm-17.5mm glass on one side and 10-14.8mm on the other.

Similar to Polar 100, using the snap-in profile Polar 101 can fit a third pane of glass, a mesh panel, an LED screen and more. Polar 101 is compatible with Komfort's Sonik, glazed and timber doors and can seamlessly be integrated with stud partitioning using Komfire wrap around reducers and wrap around door frame. For an industrial aesthetic, this system is available with a range of Kross Glaze options including internal only and internal with applied bars.

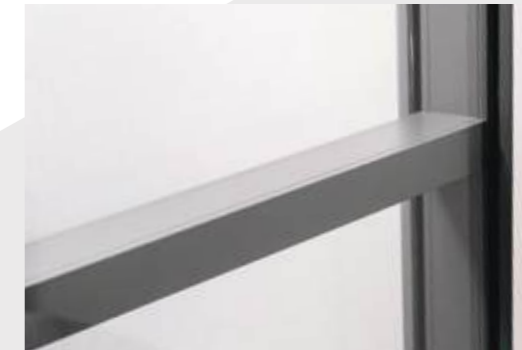
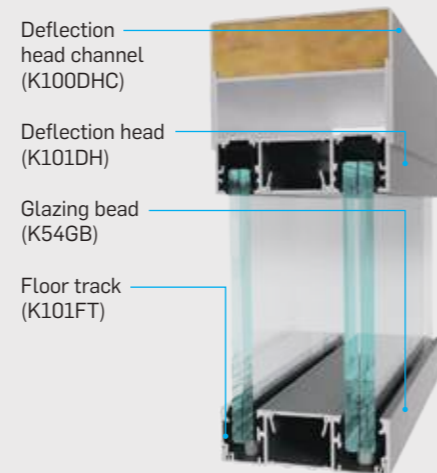
## Standard Double Glazed Head and Base Detail



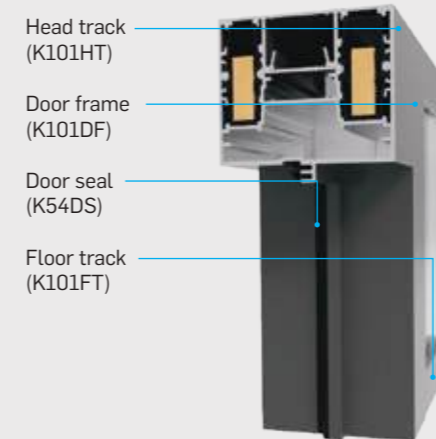
## Double Glazed Unit Blinds



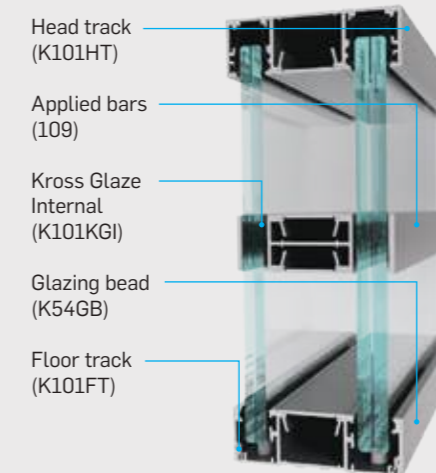
## Standard +/-25mm Deflection Head and Base Detail



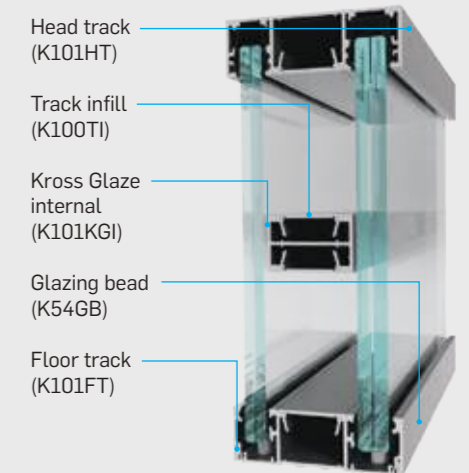
## Full Height Double Glazed Door Frame Detail



## Double Glazed with Applied Kross Glaze



## Double Glazed with Kross Glaze Internal





## Polar Kreate

Modular.  
Adaptable.  
Reusable.

Polar Kreate is our sustainability-led, fully relocatable solid partitioning system. This bi-block, relocatable office partition system encourages flexibility in design through diverse panel options, impressive materials and unlimited application possibilities.

The ultimate solid cross wall solution to complement the glazed Polar suite office frontages, engineered to accommodate individual requirements and future change and contribute to a circular economy.



**At a glance**

**Dimensions:**

Height up to 3.0m  
Module Width up to 1.15m\*

**Acoustic:**

Acoustic range from 43dB (Rw) to 45dB (Rw) depending on no glazed panels and panel material. (Acoustic (Rw, maximum). Steel faced plasterboard panels: 45dB. Veneered panels: 43dB.

**Structural Performance**

Severe Duty up to 3.0m (BS 5234-2:1992)

**Fire Performance:**

None

**Adjustment:**

+/-10mm at Head  
+/-15mm at Base  
+/-20mm at Wall

**Panel Options:**

- Steel Panels
- Veneered MDF Panels
- MFC Panels
- Fabric Panels
- Pinnable Fabric Panels
- Living Wall Panels
- Moss Wall Panels

**System Integration:**

Polar 30, 35, 54, 100 & 101

✓ **Graphics**

**Paint/finishes**

✗ Polyester Powder Coat

✓ Satin Anodised Finish

✓ Special Anodised Finish

\* dependent on system configuration / specification

See our technical documents on our website for more:

[www.komfort.com/panel](http://www.komfort.com/panel)

## Polar Krete

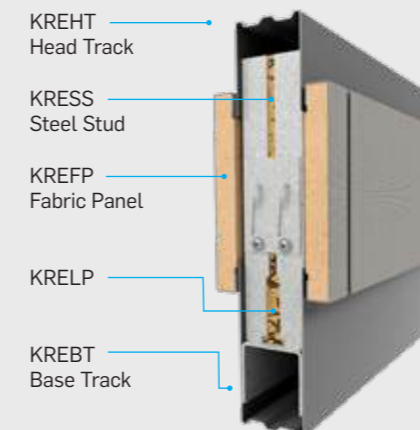
Komfort's 100mm wide hung panel system offers the versatility of different panel finishes with acoustic performance of up to 45dB (RW) and structural performance of Severe Duty to 3000mm high. With maximum module widths of 1150mm wide, the panels can be full height

Engineered for flexibility during installation, allowing for adjustment of +/-10mm at the head, +/-15mm at the base and +/-20mm at the wall abutments. The floor track also incorporates an adjustable leveling platform to ensure steel studs, and the feature panels, are inline even when the floor and ceiling are running out.

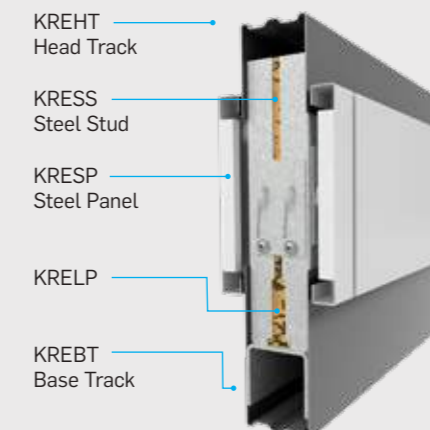
The system is designed to be integrated with the Polar glazed partitioning suite for office frontages at perpendicular junctions.



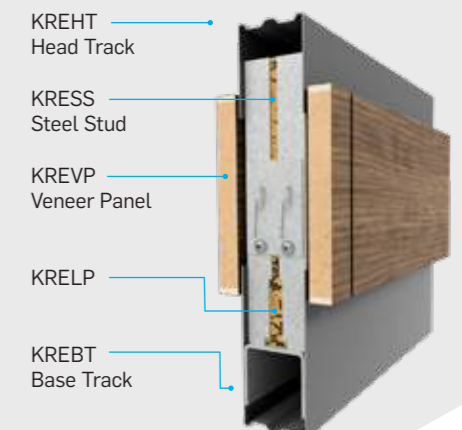
### Polar Krete Fabric



### Polar Krete Steel



### Polar Krete Veneer





## Tech Panels

Technology has revolutionised the corporate world and Komfort are constantly exploring new and exciting ways for this to be incorporated.

Tech Panels are increasingly being integrated into commercial and public spaces. This enables intelligent control systems to be installed with all power and data requirements readily available. Komfort's Tech Panels enable seamless control of room booking, lighting, air controls and security systems.

Komfort's integrated Tech Panel details are compatible with a wide range of our systems. Panels are available in various finishes such as glass, veneer and metal. The functionality of our Tech Panel range allows user control whilst maintaining the system's aesthetics.



## Fire Rated Systems

With fire safety an absolute priority, Komfort's fire rated systems ensure confidence when specifying for fire requirements. For internal glazing and firescreen projects, our dedicated Specialist Glazing team support from initial design concept to install.

Whilst excellent performance is our priority, our systems are equally stunning. With exceptional structural performance and equal framing, our specialist internal glazing and firescreens combine beauty with performance.





## Defence E Fire Screens

The use of Komfort's Defence E Fire Screens offer integrity performance only. Meaning these systems work to prevent the passage of fire, this includes the spread of flame, smoke and toxic gas, but not heat.



### Defence E Fire Screens

#### Dimensions:

Screen Height up to 4.0m  
Door Leaf Height up to 3.0m\*

#### Fire Performance:

Up to 60 minutes Integrity

#### Acoustic Performance:

Up to 44dB (RW)\*  
Speech Privacy Potential up to 'High'

#### Structural Performance:

3.0kN/m up to 4.5m (BS 6180:2011)\*  
Subject to Structural Engineers Assessment

#### Deflection Head:

None

#### Doorset Options:

Single & Double Latched Doors\*  
Single & Double Unlatched Doors\*  
Single & Double Sliding Doors\*

#### Glazed Options:

Single Glazed  
DGU with Acoustic Laminate

#### Optional Extras and Finishes

- Blinds
- Integral Blinds
- Manifestations
- Graphics
- Switch Glass

#### Paint/finishes

- Polyester Powder Coat
- Brushed Stainless Steel
- Special Anodised
- Satin Anodised

\* Dependent on configuration and specification

See our technical documents on our website for more:

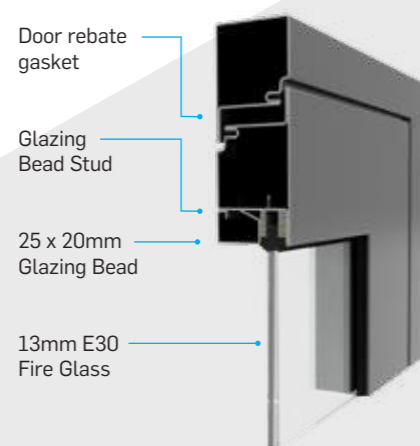
[www.komfort.com/panel](http://www.komfort.com/panel)

## Defence E Fire Screens

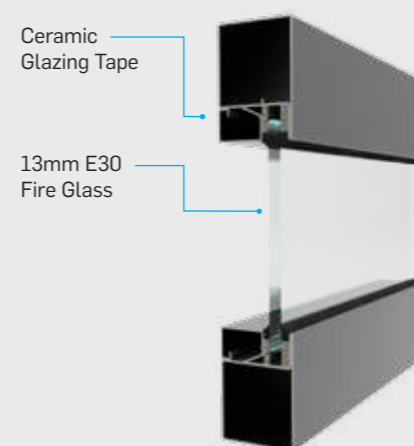
The Defence E Fire Screens are constructed using steel tubes and offer fire ratings from 30 minutes to 60 minutes, meeting a range of project specifications. These systems can also be complemented with both latched and unlatched doors. If a performance of higher than 60 minutes is required please refer to Defence EI Fire Screens.



Defence E Door



Defence E Screen





## Defence EI Fire Screens

The use of Komfort's Defence EI Fire Screens offer integrity and insulation performance. Meaning these systems work to prevent the spread of flame, smoke and transference of heat to the protected side. This ensures safe escape from fires when used in protected corridors and protected refuge areas, as well as preventing secondary combustion of flammable items in a protected area.



### Defence EI Fire Screens at a glance

#### Dimensions:

Screen Height up to 4.5m\*  
Door Leaf Height up to 3.0m\*

#### Fire Performance:

Up to 120 minutes Integrity & Insulation

#### Acoustic Performance:

Up to 52dB (RW)\*  
Speech Privacy Potential up to 'High'

#### Structural Performance:

3.0kN/m up to 4.5m (BS 6180:2011)\*  
Subject to Structural Engineers Assessment

#### Deflection Head:

None

#### Doorset Options:

Single & Double Latched Doors\*  
Single & Double Unlatched Doors\*  
Single & Double Sliding Doors\*

#### Glazed Options

Single Glazed  
DGU with Acoustic Laminate

#### Optional Extras and Finishes

Blinds

Integral Blinds

Manifestations

Graphics

Switch Glass

#### Paint/finishes

Polyester Powder Coat

Brushed Stainless Steel

Special Anodised

Satin Anodised

\* Dependent on configuration and specification

See our technical documents on our website for more:

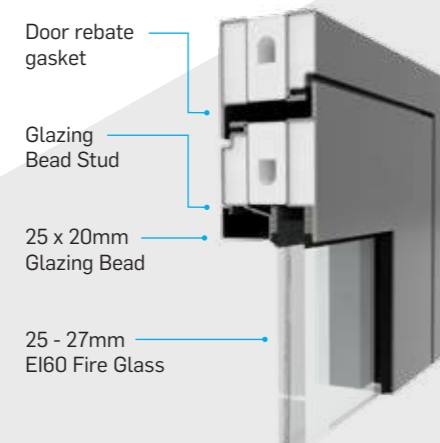
[www.komfort.com/panel](http://www.komfort.com/panel)

## Defence EI Fire Screen

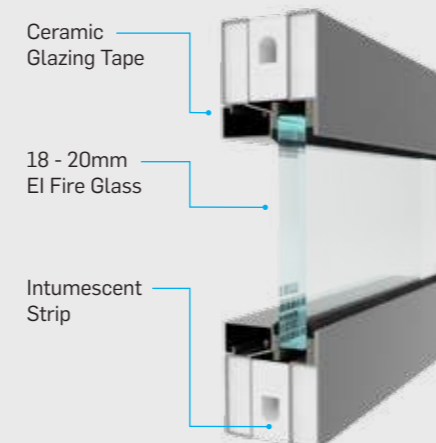
The Defence EI Fire Screens are constructed using steel tubes with internal thermal insulation breaks. The structure enables our systems to offer fire ratings from 30 minutes to 120 minutes, meeting a range of project specifications. These systems can also be complemented with both latched and unlatched doors.



### Defence EI Door



### Defence EI Screen





## Soteria Fire Screens

Komfort's Soteria Fire Screens provide both integrity and insulation, effectively stopping flames, flammable gases, and heat transfer. There are two variations within this system, Soteria which has a slimline profile and Soteria XL, both within a steel frame and offering fire ratings of up to 90 minutes for integrity and insulation.



### At a glance

#### Dimensions:

Screen Height up to 3.0m\*  
Module Width up to 1.4m\*  
Framework Depth 55-69mm\*  
Door Leaf Height up to 2.9m\*  
Door Leaf Width up to 1.0m\*

#### Fire performance:

Screens up to 90 minutes  
Integrity and Insulation\*  
Doors up to 60 minutes  
Integrity and Insulation

In accordance with EN 1634-1,  
EN 1364-1 & EN 15725:2023

#### Acoustics:

Glazed Screens up to 42dB (Rw)\*  
Speech Privacy Potential up to  
'Good'

#### Structure:

Up to 1.5kN/m to BS 6180:2011

#### Door options:

Full Height Single & Double  
Unlatched Doors\*

#### Glazing Options:

Single Glazed EI30-EI90 Glass

✗ Blinds

✓ Manifestations

✓ Graphics

✗ SwitchGlass

✓ Kross Glaze Bars

#### Paint/finishes

✓ Polyester Powder Coat

✓ Physical Vapor Deposition

✓ Stainless Steel

\* Dependent on door set  
configuration / specification.

See our technical documents on  
our website for more:

[www.komfort.com/panel](http://www.komfort.com/panel)

## Soteria

### Glazed Steel Fire Screens

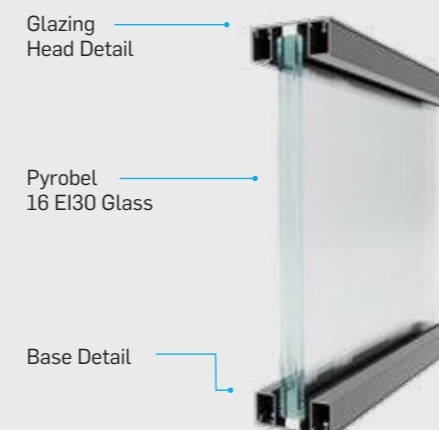
Soteria is Komfort's slimline steel frame fire screen offering, achieving ratings from 30 to 90 minutes for integrity and insulation, alongside acoustic performance up to 42dB (Rw). It seamlessly integrates into various designs while delivering robust fire protection. The system can also include unlatched single or double doors with ratings up to EI60.

#### Key Features:

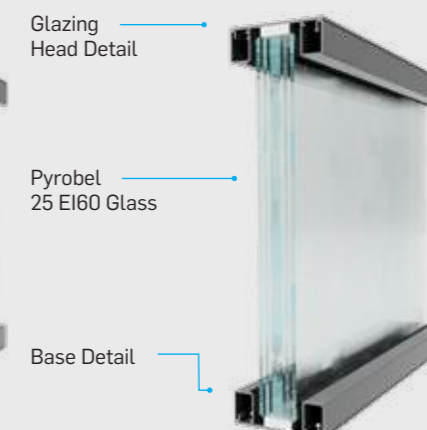
- Slimline Design: Complements our Polar partitioning sightline for a cohesive aesthetic
- Glass-to-Glass Corner Joints: Available for 30 and 60-minute fire ratings
- Our fire compliant specifications meet the requirements of Approved Document M1 volume 2
- EN Standards Tested: Independently verified for superior performance
- Versatile Butt Joints: Choose from translucent, black, white and other colors to suit your design
- Wide, Mullion-Free Lengths: Create uninterrupted visual expanses



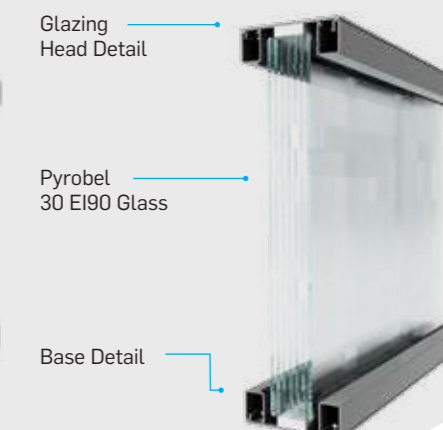
Soteria EI30 Screen



Soteria EI60 Screen



Soteria EI90 Screen





### At a glance

#### Dimensions:

Screen Height up to 4.15m\*  
 Module Width up to 1.4m\*  
 Framework Depth 60mm\*  
 Door Leaf Height up to 2.9m\*  
 Door Leaf Width up to 1.0m\*

#### Fire performance:

Screens up to 60 minutes Integrity and Insulation\*

Doors up to 60 minutes Integrity and Insulation

In accordance with EN 1634-1, EN 1364-1 & EN 15725:2023

#### Acoustics:

Glazed Screens up to 41dB (Rw)\*

Speech Privacy Potential up to 'Good'\*

#### Structure:

Up to 1.5kN/m to BS 6180:2011

#### Door options:

Single & Double Unlatched Doors\*

#### Glazing Options:

Single Glazed EI30-EI60 Glass

✗ Blinds

✓ Manifestations

✓ Graphics

✗ SwitchGlass

✓ Kross Glaze Bars

#### Paint/finishes

✓ Polyester Powder Coat

✓ Physical Vapor Deposition

✓ Stainless Steel

\* Dependent on door set configuration / specification.

See our technical documents on our website for more:

[www.komfort.com/panel](http://www.komfort.com/panel)

## Soteria XL

### Glazed Steel Fire Screens

Like Soteria, Soteria XL is Komfort's slimline steel frame fire screen offering. This system can reach greater heights and offers enhanced structural performance, as well as deflection at the head.

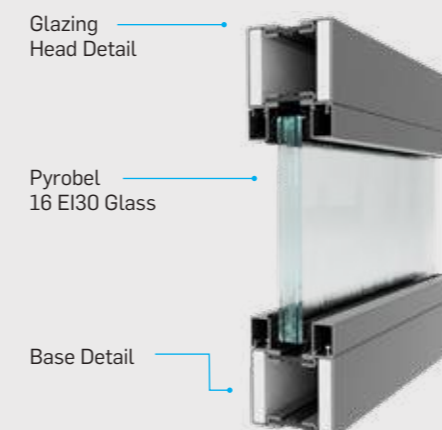
This system features a slimline steel frame and offers fire ratings from 30 to 60 minutes for integrity and insulation, alongside acoustic performance up to 41dB (Rw).

#### Key Features:

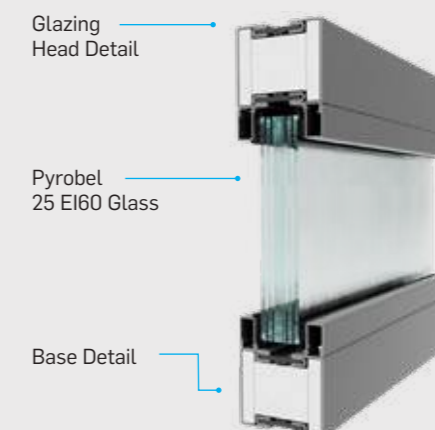
- Heights of up to 4.15m: Ideal for larger openings
- Compatible with automated door systems: Wider design options
- Deflection Head: Allowing for movement
- Glass-to-Glass Corner Joints: Available for 30 and 60-minute fire ratings
- Our fire compliant specifications meet the requirements of Approved Document M1 volume 2
- EN Standards Tested: Independently verified for superior performance
- Versatile Butt Joints: Choose from translucent, black, white and other colours to suit your design
- Wide, Mullion-Free Lengths: Create uninterrupted visual expanses



#### Soteria XL EI30 Screen



#### Soteria XL EI60 Screen





## Framed Partitioning

Komfort's framed glazed and solid partitions allow maximum flexibility to create inspiring environments, with angular or curved profiles in metallic finishes in any BS or RAL colour. These systems have the ability to integrate with other solutions to deliver total design freedom and peace of mind over performance requirements.



Image supplied by: Amadeus Design



## Kross Glaze 600

Kross Glaze is Komfort's industrial style glazing which has led commercial and residential market trends over recent years with its contemporary Art Deco feel. This aesthetic is an intriguing and characterful way of dividing open-plan spaces into beautiful private areas. When balanced with contrasting natural materials, exposed brickwork and biophilic design, our Kross Glaze system comes to life.

Our Kross Glaze systems allow designers to be creative with both glazing and panes, as well as being available with reeded glass. We offer infills for handles on the door leaf, and within the screen and door. This flexibility can be purely decorative, can serve a functional purpose in the case of tech panels for room booking systems and more.



**Dimensions for Screen:**

Screen max. height – up to 3000mm  
Min. pane height – 450mm  
Min. pane width – 450mm\*  
Doors must always be full height

**Fire ratings:**

N/A

**Acoustics:**

Single Glazed screens – up to 38dB (Rw)  
Double Glazed screens – up to 41dB (Rw)  
Single Glazed doors – up to 33dB (Rw)  
Double Glazed doors – up to 36dB (Rw)

**Structure:**

Light duty

**Deflection head:**

N/A

**Door type options:**

Kross Glaze doors  
Timber doors

**Screen glass type options:**

Single Glazed - 6.8, 10.8, 12.8mm  
Acoustic Lam.  
Double Glazed - 6.4 and 6.8mm  
Acoustic Lam.  
Reeded glass available on special request

✗ Blinds

✓ Manifestations

✓ Graphics

✗ SwitchGlass

**Paint/finishes**

✓ Polyester powder coat

\*✓ Satin anodised aluminium

✓ Special anodised

\* dependent on system configuration / specification

See our technical documents on our website for more:

[www.komfort.com/panel](http://www.komfort.com/panel)

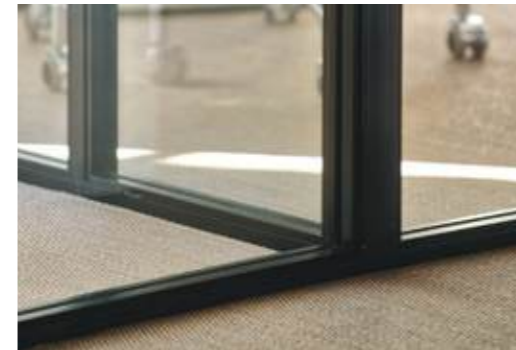
## Kross Glaze 600 Screens and Doors

The Kross Glaze system is available with options for both single and double glazing, achieving acoustic ratings of up to 41dB (Rw). This 54mm framed glazing system not only includes screens but has a unique 54mm rebated door designed to accommodate the same glazing chairs and beads, creating a flush aesthetic. Our Kross Glaze door is available in single and double glazed options.

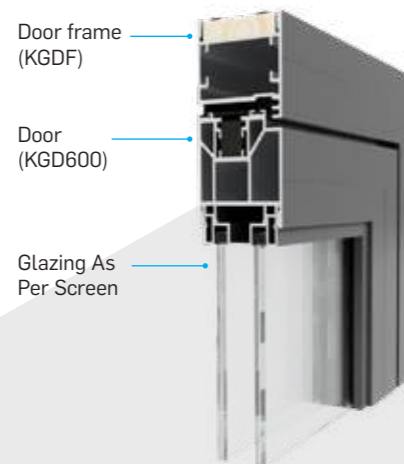
Kross Glaze doors are available with lift off hinges or offset pivots on floor springs. All doors within this system must be full height to allow for optimal continuation of the transoms and glazing from screen to door.

Kross Glaze screens are constructed up to a maximum height of 3000mm with horizontal transoms to divide the glazing between the uprights; these can be configured as equal splits or staggered, allowing designers to be creative with their construction.

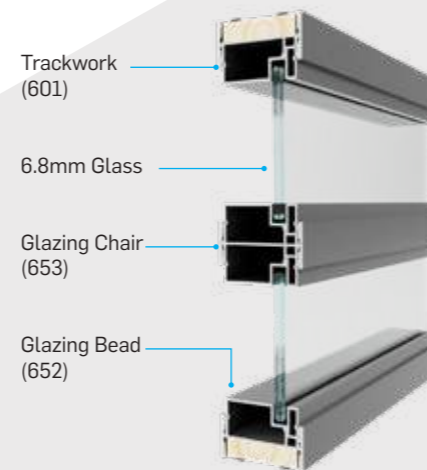
Aluminium components for the screen and door are powder coated using our standard colour options. All special colour options can be manufactured to any RAL or BS colour code, please ask for availability.



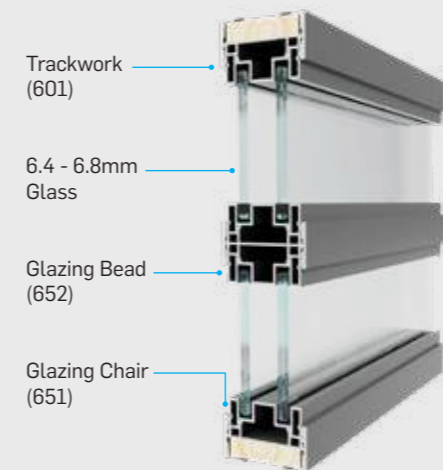
**Standard Full Height Door & Frame Detail**



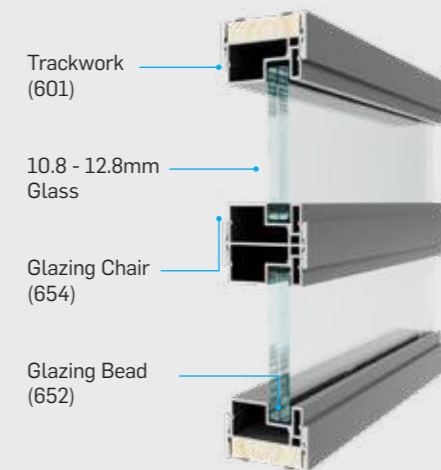
**Standard Single Glazed Head & Base Detail**



**Standard Double Glazed Head & Base Detail**



**Standard Single Glazed Head & Base Detail**



**At a glance**

**Dimensions:**

Partition Height up to 4.2m\*  
Doorset Height up to 3.0m

**Acoustic Performance:**

Solid up to 48dB (Rw)  
Glazed up to 41dB (Rw)\*  
Speech Privacy Potential up to 'Good'

**Structural Performance:**

Up to Medium Duty (BS 5234-2:1992)\*

**Fire Performance:**

None

**Deflection:**

None

**Solid Options:**

Single Boarded 12.5mm  
Plasterboard  
Single Boarded 12.5mm SoundBloc

**Glass Options:**

Single Glazed 6.4mm Laminated or  
6.8mm Acoustic Laminated  
Double Glazed 6.4mm Laminated &  
6.8mm Acoustic Laminated

**Doorset Options:**

10-12mm Glass Doors  
44mm Timber Doors  
44mm Sonik Doors

✓ Blinds

✓ Manifestations

✓ Graphics

✗ Switch Glass

✗ Kross Glaze

**Paint/finishes**

✓ Polyester Powder Coat

✗ Satin Anodised

\*✓ Special Anodised

\* dependent on system configuration / specification.

See our technical documents on our website for more:

[www.komfort.com/panel](http://www.komfort.com/panel)

## Komfire 75

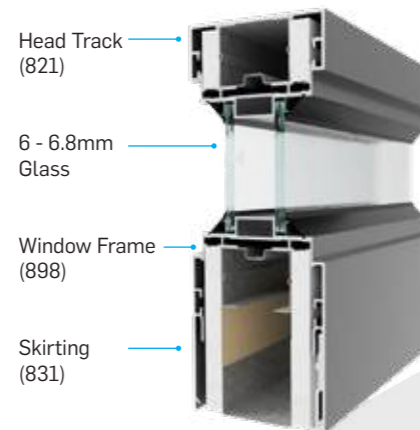
Non-Fire Rated

Komfire is Komfort's steel stud and plasterboard construction system surrounded by an aluminium framework. This system offers a distinct angular style and offers high acoustic performance.

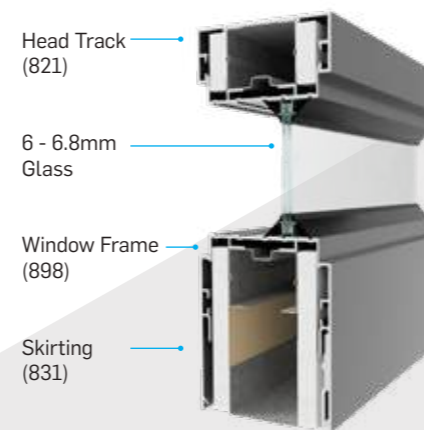
Komfire 75 is Komfort's 75mm square edge framed system which is compatible with Komfort's Sonik, glazed and timber door. This system is available in a solid, single and double glazed structure with pre-assembled window frame options.



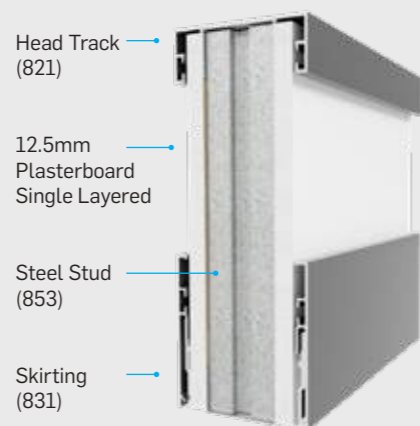
### Standard Double Glazed Head & Base Detail



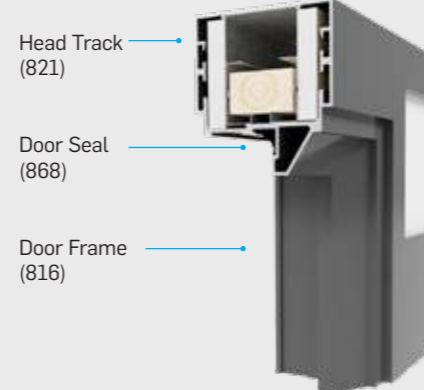
### Standard Single Glazed Head & Base Detail



### Standard Solid Head & Base Detail



### Standard Full Height Door Frame Detail



**At a glance**

**Dimensions:**

Partition Height up to 4.0m\*  
Doorset Height up to 3.0m

**Acoustic Performance:**

Solid up to 52dB (Rw)  
Glazed up to 42dB (Rw)\*  
Speech Privacy Potential up to 'High'

**Structural Performance:**

Up to Medium Duty (BS 5234-2:1992)\*

**Fire Performance:**

None

**Deflection:**

None

**Solid Options:**

Single or Double Boarded 12.5mm  
Plasterboard  
Single or Double Boarded 12.5mm  
SoundBloc

**Glass Options:**

Single Glazed 6.4mm Laminated or  
6.8mm Acoustic Laminated  
Double Glazed 6.4mm Laminated &  
6.8mm Acoustic Laminated

**Doorset Options:**

10-12mm Glass Doors  
44mm Timber Doors  
44mm Sonik Doors

✓ Blinds

✓ Manifestations

✓ Graphics

✗ Switch Glass

✗ Kross Glaze

**Paint/finishes**

✓ Polyester Powder Coat

✗ Satin Anodised

\*✓ Special Anodised

\* dependent on system configuration / specification.

See our technical documents on our website for more:

[www.komfort.com/panel](http://www.komfort.com/panel)

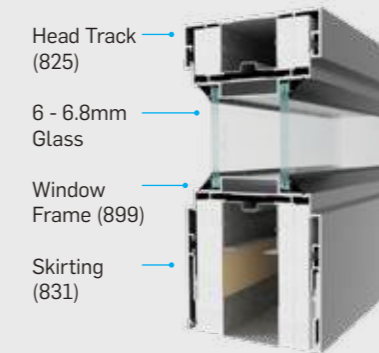
## Komfire 100

Non-Fire Rated

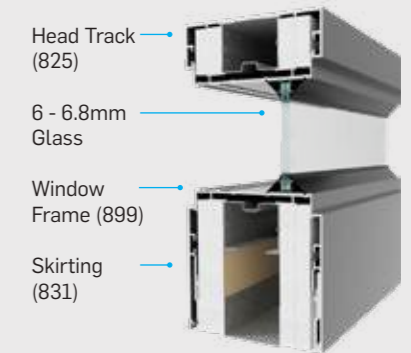
Komfire 100 is a solid and glazed partitioning system, offering a single or double boarded steel stud system surrounded by aluminium trackwork with pre-assembled single or double glazed aluminium window frames.



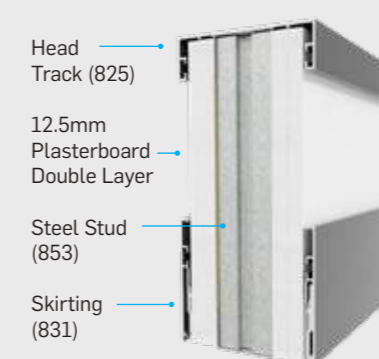
### Standard Double Glazed Head & Base Detail



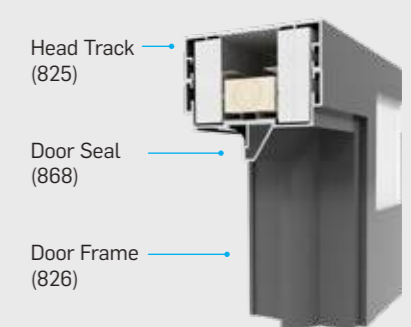
### Standard Single Glazed Head & Base Detail



### Standard Solid Head & Base Detail



### Standard Full Height Door Frame Detail





**At a glance**

**Dimensions:**

Screen Height up to 3.0m\*  
Doorset Height up to 3.0m

**Acoustic Performance:**

Solid up to 43dB (Rw)  
Glazed up to 39dB (Rw)\*  
Speech Privacy Potential up to 'Good'

**Structural Performance:**

Medium Duty (BS 5234-2:1992)\*

**Fire Performance:**

Solid up to 30/30\*  
Glazed up to 30/0\*

**Deflection:**

None

**Solid Options:**

Single Boarded 12.5mm  
Plasterboard

**Glass Options:**

Single Glazed Komfort 6mm Fire Glass  
Double Glazed Komfort 6mm Fire Glass & 6.4mm Laminated

**Doorset Options:**

44mm Fire Rated Timber Doors

- ✓ Blinds
- ✓ Manifestations
- ✓ Graphics

- x Switch Glass
- x Kross Glaze

**Paint/finishes**

- ✓ Polyester Powder Coat
- x Satin Anodised

\*✓ Special Anodised

\* dependent on system configuration / specification.

See our technical documents on our website for more:

[www.komfort.com/panel](http://www.komfort.com/panel)

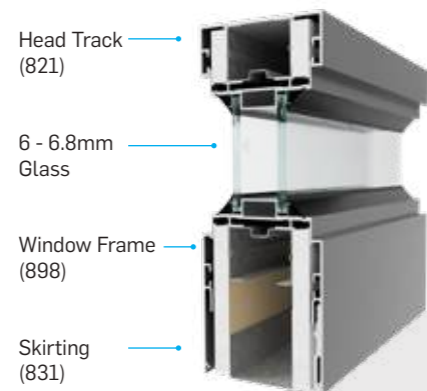
## Komfire 75FR

Fire Rated

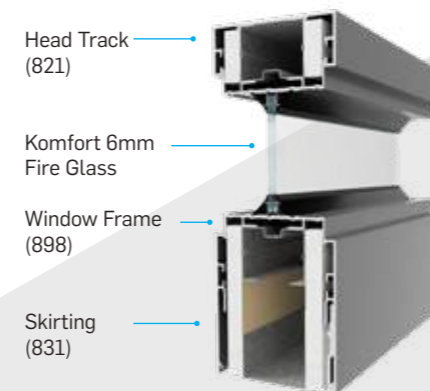
Komfire 75FR is a solid and glazed fire rated partitioning system, offering a steel stud plasterboard system surrounded by aluminium framework to 30/0 or 30/30 and glazed configurations to 30/0.



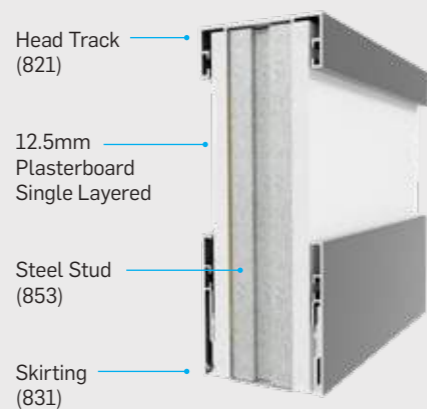
### Standard Double Glazed Head & Base Detail



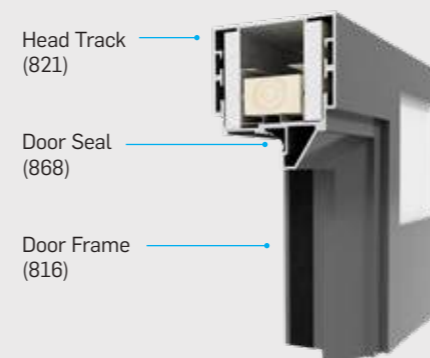
### Standard Single Glazed Head & Base Detail



### Standard Solid Head & Base Detail



### Standard Full Height Door Frame Detail



**At a glance**

**Dimensions:**

Solid Height up to 4.0m\*  
Glazed Height up to 3.0m\*  
Doorset Height up to 3.0m

**Acoustic Performance:**

Solid up to 50dB (Rw)  
Glazed up to 41dB (Rw)\*  
Speech Privacy Potential up to 'High'

**Structural Performance:**

Heavy Duty up to 3.0m\* (BS 5234-2:1992)

**Fire Performance:**

Solid up to 60/60\*  
Glazed up to 30/0

**Deflection:**

None

**Solid Options:**

Single Boarded 12.5mm Plasterboard with 75mm Stud  
Double Boarded 12.5mm Plasterboard with 50mm Stud

**Glass Options:**

Offset Single Glazed Komfort 6mm Fire Glass  
Double Glazed Komfort 6mm Fire Glass & 6.4mm Laminated

**Doorset Options**

44mm Fire Rated Timber Doors

- \*✓ Blinds
- ✓ Manifestations
- ✓ Graphics
- x SwitchGlass
- x Kross Glaze

**Paint/finishes**

- ✓ Polyester powder coat
- x Satin anodised aluminium
- ✓ Special anodised finish

\* dependent on system configuration / specification.

See our technical documents on our website for more:

[www.komfort.com/panel](http://www.komfort.com/panel)

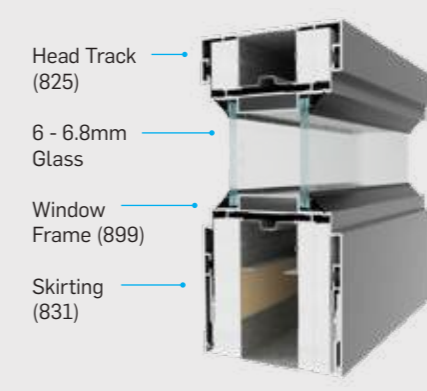
## Komfire 100FR

Fire Rated

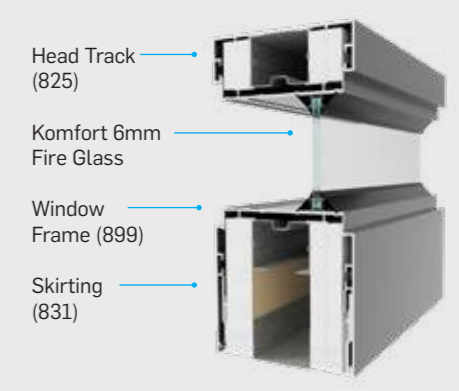
Komfire 100FR is a solid and glazed fire rated partitioning system, offering a steel stud plasterboard system surrounded by aluminium framework to 30/0 or 60/60 and glazed configurations at 30/0. This system is the perfect choice for buildings when stringent fire regulations apply.



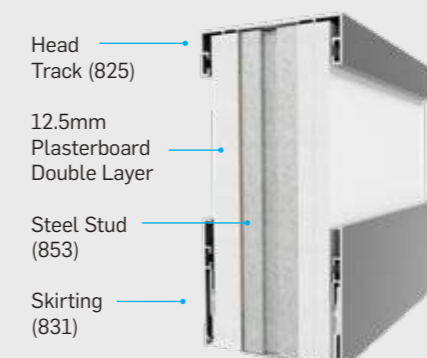
### Standard Double Glazed Head & Base Detail



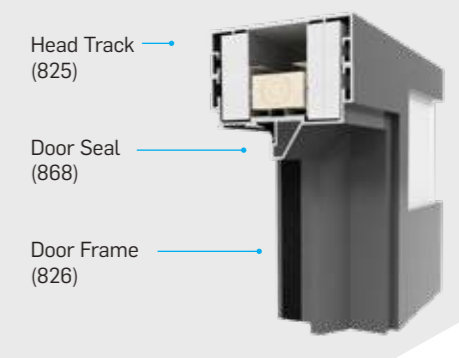
### Standard Single Glazed Head & Base Detail



### Standard Solid Head & Base Detail



### Standard Full Height Door Frame Detail





**At a glance**

**Dimensions / fire ratings:**

- Single glazed 30/0 - up to 2963mm
- Single glazed 60/0 - up to 2963mm
- Double glazed 30/0 - up to 2963mm

**Acoustics:**

- Single glazed – up to 41dB (Rw)
- Double glazed – up to 41dB (Rw)

**Structure:**

- Glazed – up to severe duty

**Glass type options:**

- Pyrobel 16
- Pyrobel 25

**Weight:**

- Single glazed 30/0 – 41 kg/m<sup>3</sup>
- Single glazed 60/0 – 65.75 kg/m<sup>3</sup>
- Double glazed 30/0 – 60.25 kg/m<sup>3</sup>

**\*✓ Blinds**

- ✓ Manifestations
- ✓ Graphics
- ✗ SwitchGlass

**Paint/finishes**

- ✓ Polyester powder coat
- ✓ Satin anodised aluminium
- ✓ Special anodised finish

\* dependent on system configuration / specification.

See our technical documents on our website for more:

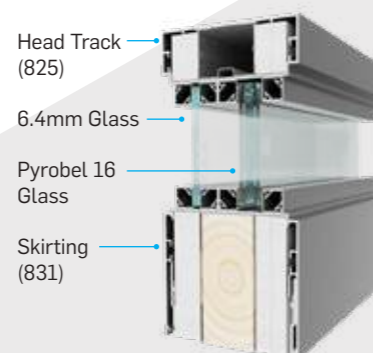
[www.komfort.com/panel](http://www.komfort.com/panel)

## Komfire 100FR+

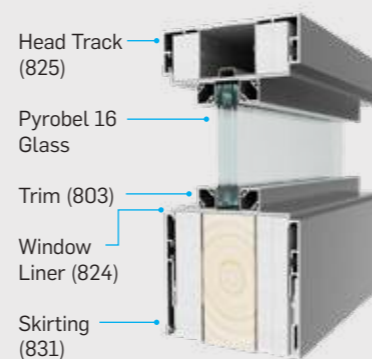
Similar to the Komfire 100 system, Komfire 100FR+ is Komfort's glazed module but with enhanced fire performance ratings of up to 60/60. This system is the perfect choice for buildings when stringent fire regulations apply. With Komfire 100FR+ it is possible to butt joint the glass with Pyrobel 16 and 25.



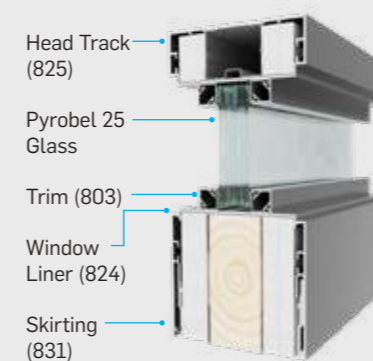
**Standard 30/0 Double Glazed Head & Base Detail**



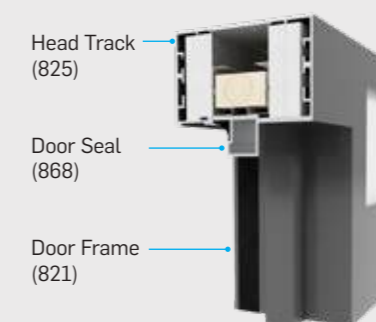
**Standard 30/0 Single Glazed Head & Base Detail**



**Standard 60/0 Single Glazed Head & Base Detail**



**Standard 30/0 Full Height Door Frame Detail**





**At a glance**

**Dimensions:**

\*Solid height - up to 3600mm

Single glazed height - \*up to 3000mm

Double glazed height - up to 3000mm

**Fire ratings:**

N/A

**Acoustics:**

Solid - up to 31dB (Rw)

Single glazed - up to 35dB (Rw)

Double glazed - up to 40dB (Rw)

**Structure:**

\*Heavy duty

**Door options:**

Timber doors

Single glazed doors

**Doorframe options:**

Aluminium

**Glass type options:**

Toughened - 6mm

Laminated - 6.4mm

Acoustic - 6.8mm

\*✓ Blinds

✓ Manifestations

✓ Graphics

✗ SwitchGlass

✓ Kross Glaze

**Paint/finishes**

✓ Polyester powder coat

✓ Satin anodised aluminium

✓ Special anodised finish

\* dependent on system configuration / specification.

See our technical documents on our website for more:

[www.komfort.com/panel](http://www.komfort.com/panel)

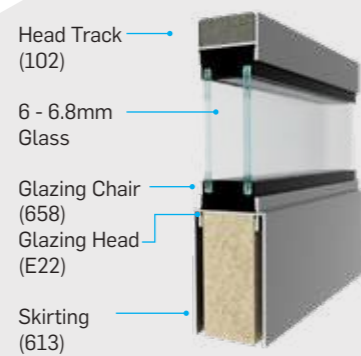
## 600 Series

600 Series is Komfort's functional system which is uncomplicated in design and installation. It offers a slimline design, with a choice of crisp angular profiles, available in either solid or glazed panels.

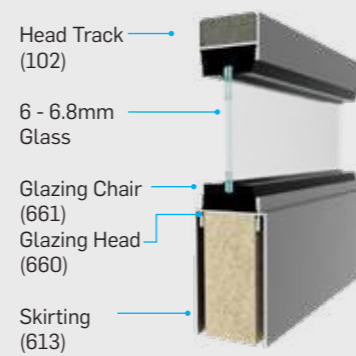
Suitable for most commercial applications, this system achieves acoustic ratings of up to 40dB (Rw) and is ideal for fast turn-around projects.



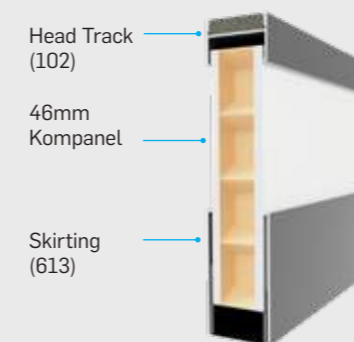
**Standard Double Glazed Head & Base Detail**



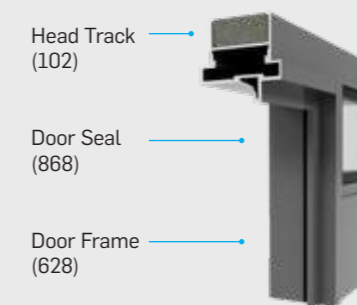
**Standard Single Glazed Head & Base Detail**



**Standard Solid Head & Base Detail**



**Standard Full Height Door Frame Detail**





## Doors, Frames & Ironmongery

Komfort's bespoke Sonik, glazed and timber door ranges have impressive performance qualities which can be finished with a wide variety of colours and ironmongery options.





## Sonik Doors

Sonik is Komfort's acoustic glazed door which can be integrated within all Komfort's partitioning systems. Designed for ease of installation and future product maintenance, this system also ensures high acoustic insulation is maintained through the use of an automatic drop-down seal. The manufactured door set can be specified as a single, hospital or double door set with either lift-off hinges or with an offset pivot and floor spring.



**At a glance**

**Dimensions:**

Maximum height – up to 3000mm

Maximum width – \*up to 1100mm

**Fire ratings:**

N/A

**Acoustics:**

Up to 37dB (Rw)

**Deflection head:**

Please contact our technical team

**Door type options:**

Single or double door set

**Profile Dimensions:**

52x44mm

**Max. Door Weight:**

Up to 120 kg (no/m2) including ironmongery

- Blinds
- Manifestations
- Graphics
- SwitchGlass
- Kross Glaze Bars
- Lift Off Hinge or Offset Pivot
- Electronic Access Options
- Integration with Polar

**Paint/finishes**

- Polyester powder coat
- Satin anodised aluminium
- Special anodised finish

\* Dependent on door set configuration / specification.

See our technical documents on our website for more:

[www.komfort.com/panel](http://www.komfort.com/panel)

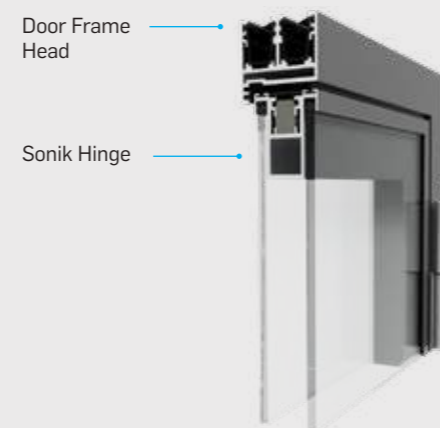
## Sonik 52 Swing

44mm Minimal Profile Double Glazed Acoustic Door

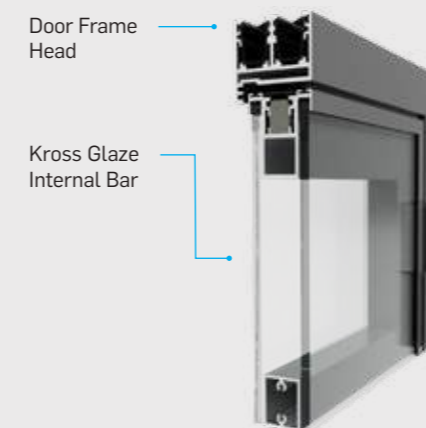
Sonik 52 is Komfort's original minimal 44mm acoustic glazed door, designed to be integrated within all Komfort's partitioning systems and for the ease of installation and future product maintenance. The manufactured doorset can be specified as a single, hospital or double doorset with either lift-off hinges or with an offset pivot and floor spring.



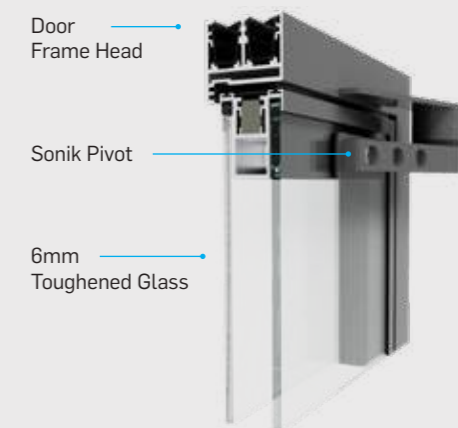
**Double Glazed Hinge**



**Double Glazed Kross Glaze**



**Double Glazed Pivot**





**At a glance**

**Dimensions:**

Maximum height – up to 3000mm

Maximum width – \*up to 1100mm

**Fire ratings:**

N/A

**Acoustics:**

Up to 40dB (Rw)

**Deflection head:**

Please contact our technical team

**Door type options:**

Single or double door set

**Profile Dimensions:**

70x44mm

**Max. Door Weight:**

Up to 120 kg (no/m2) including ironmongery

- ✓ Blinds
- ✓ Manifestations
- ✓ Graphics
- ✓ SwitchGlass
- ✓ Kross Glaze Bars
- ✓ Lift off Hinge or Offset Pivot
- ✓ Electronic Access Options
- ✓ Integration with Polar

**Paint/finishes**

- ✓ Polyester powder coat
- ✗ Satin anodised aluminium
- ✓ Special anodised finish

\* Dependent on door set configuration / specification.

See our technical documents on our website for more:

[www.komfort.com/panel](http://www.komfort.com/panel)

## Sonik 70 Swing

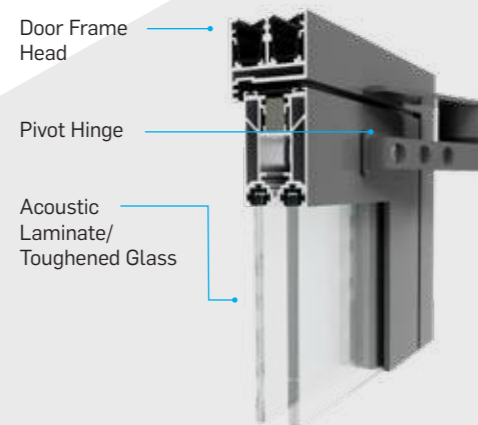
44mm Single & Double Glazed Acoustic Doors

Sonik 70 is Komfort's 44mm acoustic glazed door range, designed to be integrated within all Komfort's partitioning systems and for the ease of installation and future product maintenance. The manufactured doorset can be specified as a single, hospital or double doorset with either lift-off hinges or with an offset pivot and floor spring.

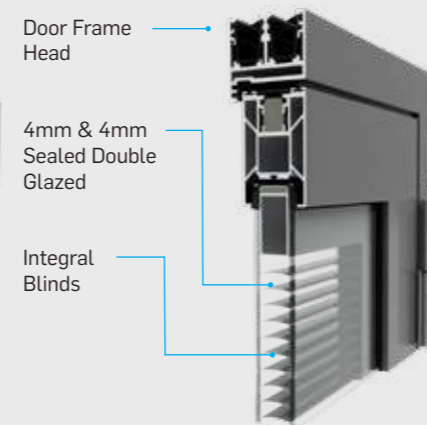


Doors, Frames & Ironmongery

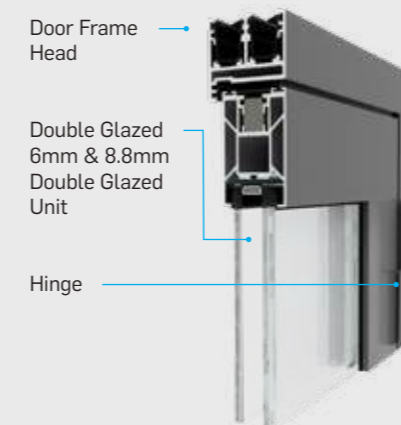
**Double Glazed Pivot**



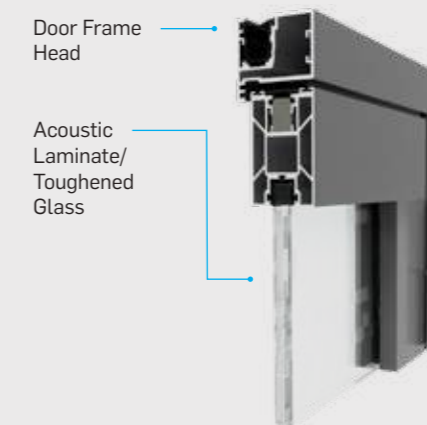
**Double Glazed Unit Blinds**



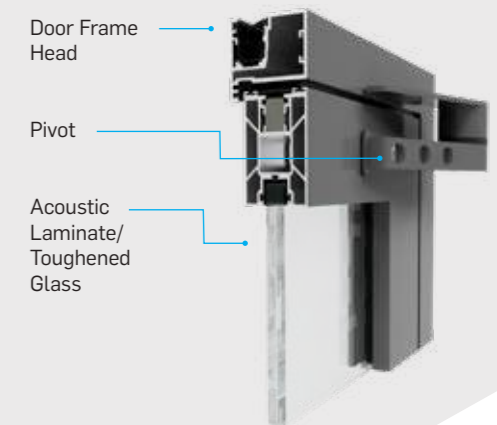
**Double Glazed Unit**



**Single Glazed Hinge**



**Single Glazed Pivot**





**At a glance**

**Dimensions:**

Maximum height – up to 3000mm

Maximum width – \*up to 1100mm

**Fire ratings:**

N/A

**Acoustics:**

Up to 42dB (Rw)

**Deflection head:**

Please contact our technical team

**Door type options:**

Single or double door set

**Profile Dimensions:**

70x54mm

**Max. Door Weight:**

Up to 120 kg (no/m2) including ironmongery

- Blinds
- Manifestations
- Graphics
- SwitchGlass
- Kross Glaze Bars
- Lift Off Hinge or Offset Pivot
- Electronic Access Options
- Integration with Polar

**Paint/finishes**

- Polyester powder coat
- Satin anodised aluminium
- Special anodised finish

\* Dependent on door set configuration / specification.

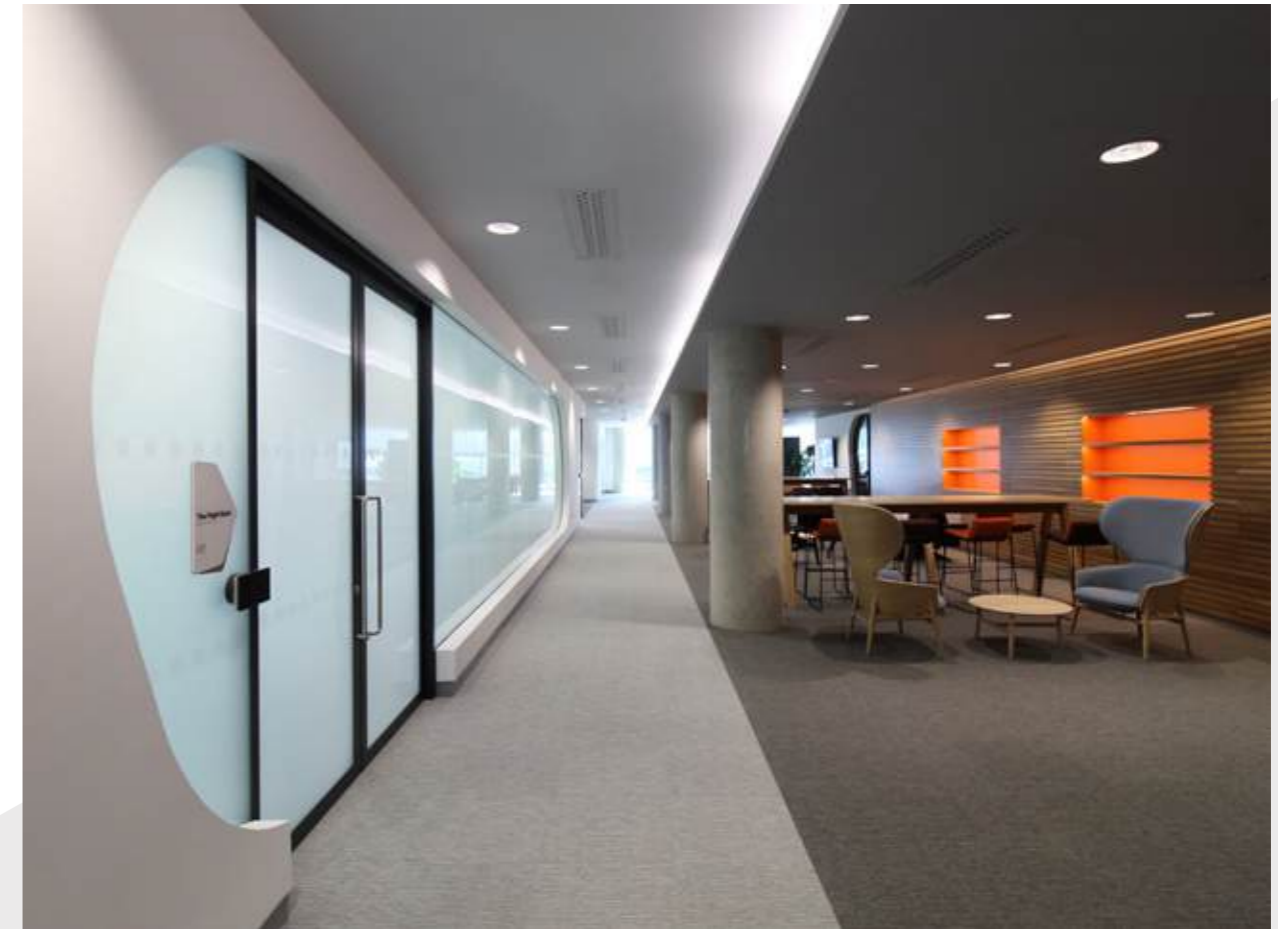
See our technical documents on our website for more:

[www.komfort.com/panel](http://www.komfort.com/panel)

## Sonik 70R Rebated

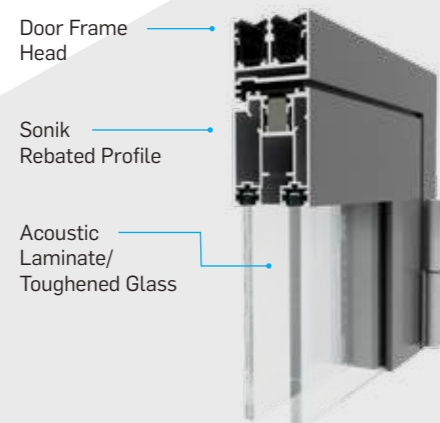
54mm Rebated Single & Double Acoustic Glazed Door

Sonik 70R is Komfort's 54mm rebated acoustic glazed door range, designed to be integrated within all Komfort's partitioning systems and for the ease of installation and future product maintenance. The manufactured doorset can be specified as a single, hospital or double doorset with either lift-off hinges or with an offset pivot and floor spring.

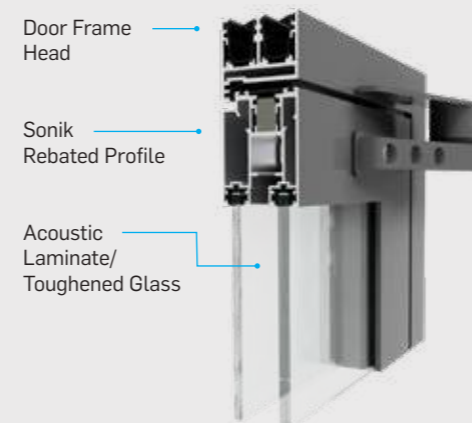


Doors, Frames & Ironmongery

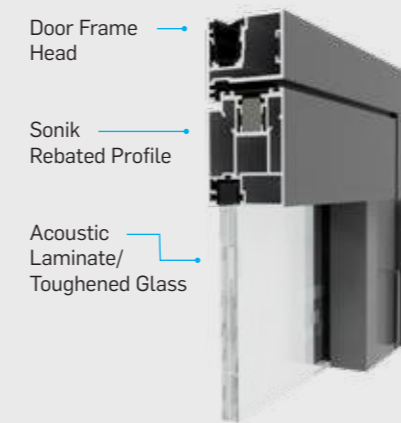
**Double Glazed Hinge**



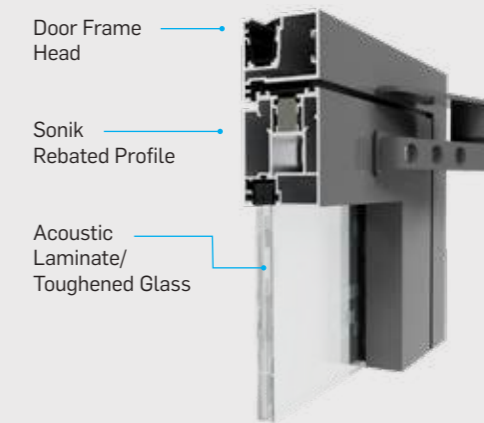
**Double Glazed Pivot**



**Single Glazed Hinge**



**Single Glazed Pivot**





**At a glance**

**Dimensions:**

Maximum height – up to 3000mm

Maximum width – \*up to 1300mm

**Fire ratings:**

N/A

**Acoustics:**

Up to 35dB (Rw)

**Deflection head:**

No deflection

**Door type options:**

Single or double door set

**Profile Dimensions:**

70x28mm

**Max. Door Weight:**

Up to 130 kg (no/m2) including ironmongery

**✗ Blinds**

**✓ Manifestations**

**✓ Graphics**

**✗ SwitchGlass**

**✓ Kross Glaze Bars**

**✓ Integration with Polar**

**Paint/finishes**

**✓ Polyester powder coat**

**✗ Satin anodised aluminium**

**✓ Special anodised finish**

\* Dependent on door set configuration / specification.

See our technical documents on our website for more:

[www.komfort.com/panel](http://www.komfort.com/panel)

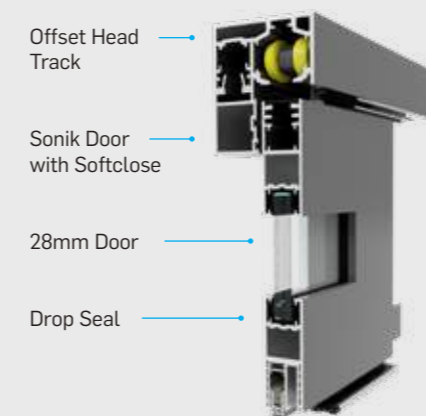
## Sonik 70S Slide

Slimline Sliding Single Glazed Acoustic Door

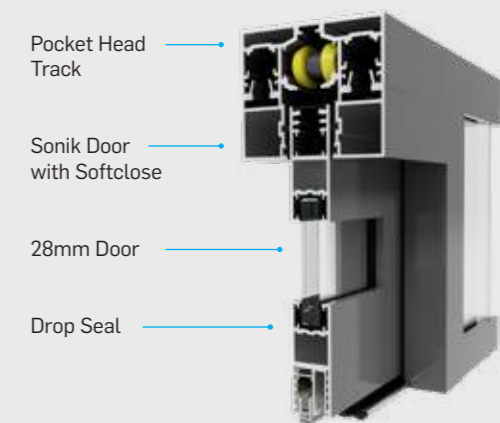
Sonik 70S is Komfort's 28mm offset or pocket sliding acoustic glazed door, designed to be integrated within Komfort's Polar 30 and Polar 100 partitioning systems and for the ease of installation and future product maintenance. Ensuring acoustic insulation is maintained by an automatic drop-down seal and specially designed glazing gaskets. The top hung doors can be specified as a single or double sets with softclose functionality as standard.



### Offset Sliding



### Pocket Sliding



#### At a glance

#### Dimensions:

Height - up to 2700mm  
For heights above 2700mm contact  
our technical department

#### Fire ratings:

N/A

#### Acoustics:

Up to 31dB (Rw)

#### Structure:

Up to severe duty

#### Deflection head:

+/-15mm, +/-25mm

#### Weight:

12mm glass – up to 30 kg/m<sup>2</sup>

With deflection head – up to 31 kg/m<sup>2</sup>

#### ✕ Blinds

#### ✓ Manifestations

#### ✓ Graphics

#### ✓ SwitchGlass

\* dependent on door set  
configuration / specification.

See our technical documents on  
our website for more:

[www.komfort.com/panel](http://www.komfort.com/panel)



## Frameless Glass Doors

Komfort's frameless glass doors increase natural light, allow for uninterrupted views and create a clean and contemporary finish to any space. Our frameless glass doors are available as a single or double doorset with either a pivoted, hinged or sliding application.

Eye-catching manifestations can be applied to all Komfort glass doors to add contrast, definition and interest. All frameless doors comply with the requirements of Document M of the Building Regulations.





### Doors at a glance

#### Dimensions:

Maximum bespoke door height - up to 3000mm\*  
Maximum stock door height - up to 2700mm  
Maximum door width - up to 1200mm\*

#### Fire ratings:

NFR, FD30, FD60, FD90, FD120

#### Door acoustics:

Up to 43dB (Rw)

#### Door thickness:

44mm  
54mm

#### Door construction:

Doors can be solid or framed hollow core to suit your requirements with hardwood lippings.

#### Available finishes:

All commercially available veneers as below:

Ash  
American Black Walnut  
Cherry  
Maple  
Sapele  
Steamed Beech  
American White Oak

Also available:

Primed  
Full range of laminates  
Hardwood Veneers

#### Door vision panels:

Complete range of vision panels including Approved Document M compliant options

### Solid timber frames at a glance

#### Dimensions:

Frame height/width - to suit the timber door sizes available.\*\*

#### Fire ratings:

NFR, FD30, FD60

#### Available finishes:

See door finishes available above.

\* cannot satisfy both maximums, please contact technical

\*\* manufactured to meet your bespoke design

See our technical documents on our website for more:

[www.komfort.com/panel](http://www.komfort.com/panel)

## Timber doors

Komfort's standard and made-to-measure timber doors are manufactured in the UK, bringing a sustainable, stunning and robust element to any design. These offer impressive performance credentials and can be installed across a range of applications, including educational establishments and commercial developments.

Timber door types include fire rated, acoustic, security, specialist construction and non-performance doors. These are all available in a range of finishes including veneers and laminates. To complement the offering, our team can deliver a complete range of vision panels, including Approved Document M compliant options.

Komfort's expertise in supplying beautiful, competitive and bespoke timber doors ensure specifications are accurate and meet the necessary performance requirements.

## Ironmongery

A wide range of architectural ironmongery options are available in many sizes and options to complement our doors and frames. This includes lever latch sets, back to back pull handles and wireless access control if required. Each piece is characterised by its high quality, distinctive design, ease of operation and tactility.

The range satisfies both design and performance criteria that comply with BS8300, Approved Document M and the Equality Act 2010.





## Moveable Walls

Our Moveable Wall Collection adds adaptability and variety to the office environment to accommodate future change. The modern design is proving a popular choice as the interiors industry moves away from cellular offices to more open plan and creative spaces.

At a glance

Dimensions:

Maximum Screen Height 11000mm\*

Maximum Module Width 1300mm

Maximum Doorset Height 11000mm\*

Acoustic Performance:

Up to 57dB\*

Fire Performance:

None

✓ Manifestations

✓ Graphics

✓ SwitchGlass

Paint/finishes

✓ Polyester powder coat

✓ MDF

✓ MFC

See our technical documents on our website for more:

[www.komfort.com/panel](http://www.komfort.com/panel)

## Komfort 80

Solid & Glazed Moveable Wall

Komfort 80 is a top hung individual solid and glazed panel moveable wall system. Designed to give economical but long-lasting use in the division of spaces where flexibility is required, with a range of configurations available to meet acoustic and operation requirements.



At a glance

Dimensions:

Maximum Screen Height 4000mm\*

Maximum Module Width 1200mm

Maximum Doorset Height 11000mm\*

Acoustic Performance:

Up to 43dB\*

Fire Performance:

None

✓ Manifestations

✓ Graphics

✓ SwitchGlass

✓ Top Hung

✓ Floor Supported

✓ Floor Guided

Paint/finishes

✓ Polyester powder coat

✓ MDF

✓ MFC

See our technical documents on our

website for more:

[www.komfort.com/panel](http://www.komfort.com/panel)

## Komfort 200

### Solid & Glazed Moveable Wall

Komfort 200 is a manually operated, top hung, floor supported or floor guided hinged solid and glazed panel moveable wall system. Designed to give economical but long-lasting use in the division of spaces where flexibility is required, with a range configurations available to meet acoustic and operation requirements.





## Collections

Komfort offer a range of systems to elevate the working environment with individuality, design flexibility, intelligent privacy and space saving abilities.

Including moveable walls, graphics and manifestation our collections can be customised to meet your project requirements and design visions.

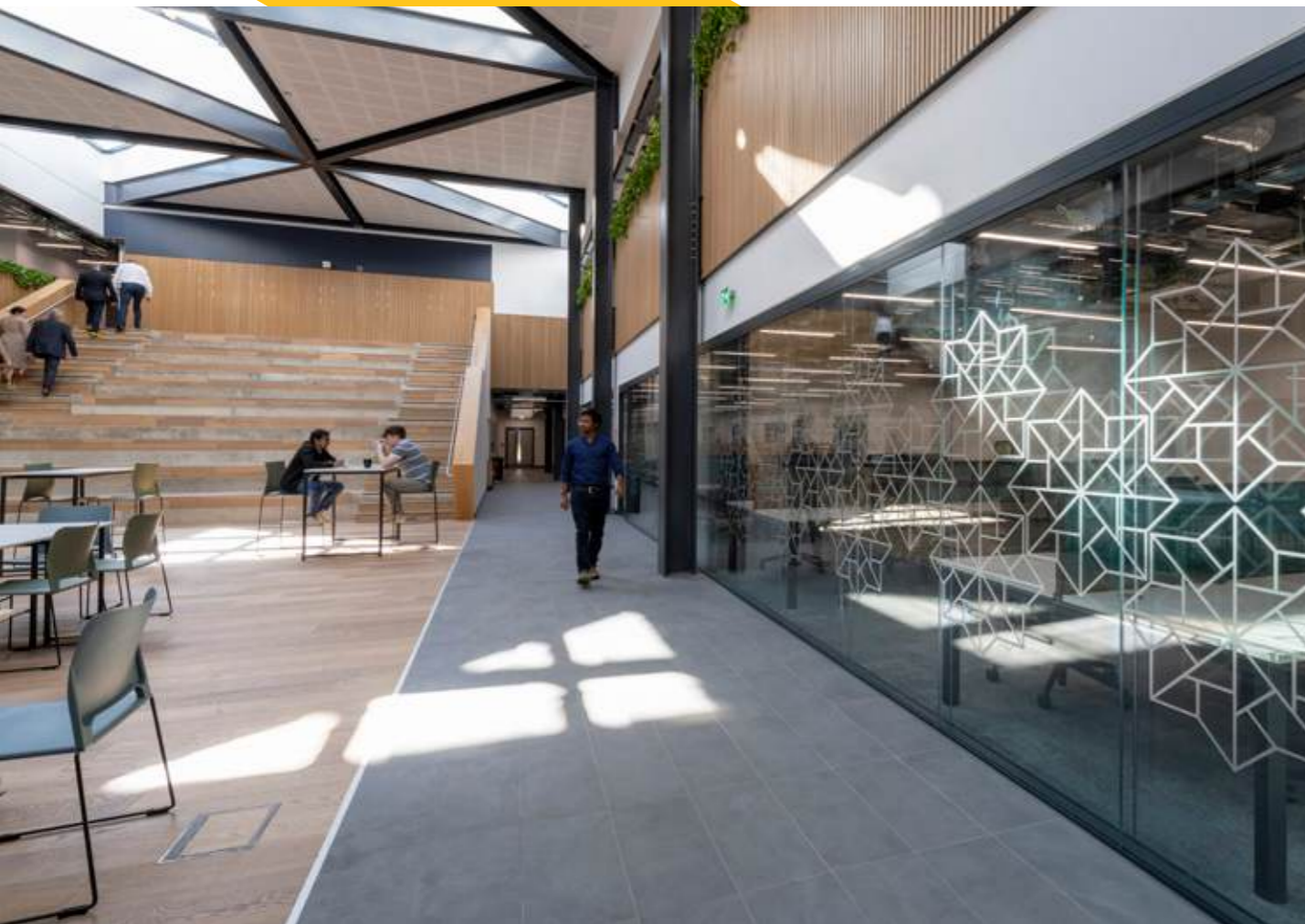




## Manifestations & Graphics

We provide a comprehensive service of manifestation and full colour graphics to glazed and solid partitions, as well as doorsets.

Manifestation is much more than a necessary safety requirement. Manifestations transform spaces into imaginative environments inspiring or directing people, providing privacy or allowing light to be shared.



## Privacy

In today's increasingly demanding workplace, privacy is important for a host of reasons. SwitchGlass and blinds offer protection and assurance of the right to privacy to the fullest extent.

### SwitchGlass

Komfort's SwitchGlass uses intelligent technology to enable instantaneous privacy control without the need for blinds. SwitchGlass technology can either be face applied to a range of glass types, or integrated within a bespoke laminated glass. The glass changes from opaque to transparent when a low electrical current is applied which can be controlled through a wall mounted switch or remotely.

### Blinds

Komfort offers both integral Venetian and vertical/roller blinds. These are available in a range of colours, finishes and fabrics and are available to install with most of Komfort's partitioning systems.





## Framed Partitioning Overview

		600 Series	Kross Glaze 600	Komfire 75/75FR	Komfire 100/FR/FR+	Defence E	Defence EI
<b>System Limitations</b>	Nominal Width	54mm	54mm	96mm	121mm	50mm	65mm
	Maximum Height	3600mm*	3000mm	3000mm*	4000mm*	4000mm	4600mm
	Maximum Module Width	1200mm	1200mm	1200mm	1200mm	1500mm	1500mm
<b>Glazing Options</b>	Single Centre Glazed	✓		✓			
	Offset Single Glazed	✓	✓	✓	✓	✓	✓
	Double Glazed	✓	✓	✓	✓	✓†	✓†
<b>Solid Options</b>	Single 12.5mm Plasterboard			✓	✓		
	Double 12.5mm Plasterboard				✓		
	46mm Kompanel	✓					
<b>Door Options</b>	Sonik Doors			✓	✓		
	Kross Glaze Door		✓				
	Defence FR Door					✓	✓
	Timber Doors	✓	✓	✓	✓		
	Glass Doors	✓		✓	✓		
<b>Other Options</b>	Integral Blinds	✓		✓	✓		
	Manifestations	✓	✓	✓	✓	✓	✓
	Switch Glass						✓
<b>Fire Performance (EN1634, EN1364 &amp; BS 476)</b>	Solid (Max. Performance)	-	-	30/30*	60/60*	-	-
	Glazed (Max. Performance)	-	-	30/0*	60/0*	E60*	EI120*
	Timber Door in Alu. Frame	-	-	30/0*	30/0*	-	-
	Defence Glazed Door (Max)	-	-	-	-	E60*	EI60*
<b>Acoustic Performance (BS EN 10140)</b>	Solid	31dB (Rw)		43-48dB (Rw)	45-52dB (Rw)		
	Single Glazed	32-35dB (Rw)	34-37dB (Rw)	35-36dB (Rw)	35-36dB (Rw)	37-40dB (Rw)	39-47dB (Rw)
	Double Glazed	37-40dB (Rw)	38-41dB (Rw)	40-41dB (Rw)	42-45dB (Rw)	44dB (Rw)†	45-52dB (Rw)†
<b>Structural Performance (BS 5234)</b>	Solid	Up to Medium Duty*		Up to Medium Duty*	Up to Severe Duty*		
	Glazed			Up to Medium Duty*	Up to Severe Duty*		

Due to a policy of continuous product development we reserve the right to change product specifications without prior notice.

\* Depending on configuration.

† Double Glazed configurations are sealed double glazed units.

## Frameless Partitioning Overview

		Polar 30	Polar 35	Polar 40	Polar 54	Polar 100	Polar 101
<b>System Limitations</b>	Nominal Width	30mm	35mm	40mm	54mm	100mm	100mm
	Maximum Height	3000mm*	3600mm*	3900mm*	3000mm*	3000mm*	3600mm*
	Maximum Module Width	1200mm	1600mm	1600mm	1200mm	1200mm	1200mm
<b>Glazing Options</b>	Single Centre Glazed	✓	✓	✓			
	Offset Single Glazed				✓	✓	✓
	Double Glazed				✓	✓	✓
<b>Door Options</b>	Sonik 52 Doors	✓	✓		✓	✓	✓
	Sonik 70 Doors	✓	✓		✓	✓	✓
	Sonik 70R Doors	✓	✓		✓	✓	✓
	Sonik 70S Doors	✓				✓	
	Timber Doors	✓	✓		✓	✓	✓
	Glass Doors	✓	✓		✓	✓	✓
<b>Other Options</b>	Integral Blinds					✓	✓
	Manifestation	✓	✓	✓	✓	✓	✓
	Switch Glass	✓			✓	✓	✓
	Applied Kross Glaze	✓	✓	✓	✓	✓	✓
	Internal Kross Glaze					✓	✓
	Internal/Applied Kross Glaze				✓	✓	✓
	Transom/Mullion Kross Glaze				✓		
Vertical Mullion/ Ghost Post					✓	✓	
<b>Acoustic Performance (BS EN 10140)</b>	Single Glazed	33-40dB (Rw)	36-41dB (Rw)	41-43dB (Rw)	31-41dB (Rw)	31-41dB (Rw)	36-41dB (Rw)
	Double Glazed				38-47dB (Rw)	44-53dB (Rw)	47-54dB (Rw)
<b>Glass Types</b>	10mm Toughened	✓			✓	✓	✓
	12mm Toughened	✓			✓	✓	✓
	15mm Toughened		✓				✓
	13.5mm Toughened Lam.	✓			✓	✓	✓
	17.5mm Toughened Lam.		✓				✓
	19.5mm Toughened Lam.			✓			✓
	21.5mm Toughened Lam.			✓			✓
	10.8mm Acoustic Lam.	✓			✓	✓	✓
	12.8mm Acoustic Lam.	✓			✓	✓	✓
	14.8mm Acoustic Lam.	✓			✓	✓	✓
16.8mm Acoustic Lam.		✓				✓	
<b>Structural Performance BS 6180</b>	0.36kN/m Line Load	Up to 3.0m*	Up to 3.6m*	Up to 3.9m*	Up to 3.0m*	Up to 3.0m*	Up to 3.6m*
	0.74kN/m Line Load	Up to 3.0m*	Up to 3.6m*	Up to 3.9m*	Up to 3.0m*	Up to 3.0m*	Up to 3.6m*
	1.5kN/m Line Load		Up to 2.8m*	Up to 3.5m*			Up to 2.8m*

Due to a policy of continuous product development we reserve the right to change product specifications without prior notice.

\* Depending on configuration



### Specifier Support

Tel: +44 (0)121 332 2550

Email: [specifiersupport@komfort.com](mailto:specifiersupport@komfort.com)

### Technical Support

Tel: +44 (0)1403 390390

Email: [technical@komfort.com](mailto:technical@komfort.com)

[www.komfort.com](http://www.komfort.com)



**Birmingham Sales Office/Head Office**

Unit 501, Axxess 10  
Bentley Road South  
Darlaston  
West Midlands  
WS10 8LQ

Tel: +44 (0)1213 322560  
Email: headoffice@komfort.com  
Email: midland-sales@komfort.com

**Crawley Sales, Showroom  
& Trade Counter**

Units 3 + 4  
Gatwick Distribution Centre  
Whittle Way  
Crawley  
RH10 9RT

**Sales**

Tel: +44 (0)1403 390300  
Email: general@komfort.com  
Email: southern.esteeming@komfort.com

**Trade Counter**

Tel: +44 (0)1293 577890  
Email: crawley-trade@komfort.com

**London Showroom**

The Forum / Assman UK  
69 Turnmill Street  
Farringdon  
London EC1 5RR

Contact your specification manager for an appointment

**Leeds/Scotland Sales Office**

Unit 1, Latchmore Industrial Park  
Latchmore Road  
Holbeck  
Leeds  
LS12 6DN

Tel: +44 (0)1133 956565  
Email: northern-sales@komfort.com  
Email: northern.esteeming@komfort.com

**Technical Support**

Tel: +44 (0)1403 390390  
Email: technical@komfort.com

**[www.komfort.com](http://www.komfort.com)**